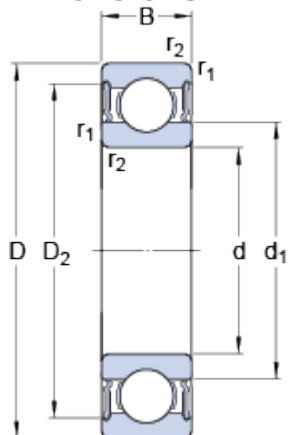


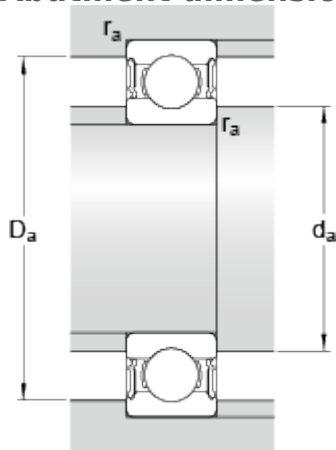
W 6302-2RS1

Dimensions



d		15	mm
D		42	mm
B		13	mm
d ₁	≈	24.5	mm
D ₂	≈	36.8	mm
r _{1,2}	min.	1	mm

Abutment dimensions



d _a	min.	20	mm
d _a	max.	24	mm
D _a	max.	37.5	mm
r _a	max.	1	mm

Calculation data

Basic dynamic load rating	C	9.95	kN
Basic static load rating	C	5.4	kN
Fatigue load limit	P _u	0.232	kN
Limiting speed		11000	r/min
Calculation factor	k _r	0.035	
Calculation factor	f	12.3	

Mass

Mass bearing		0.081	kg
--------------	--	-------	----