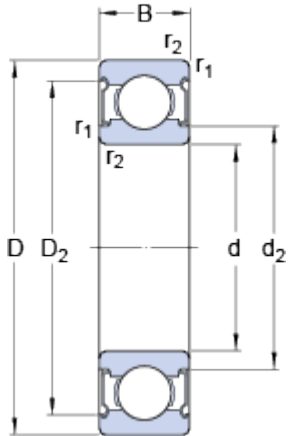


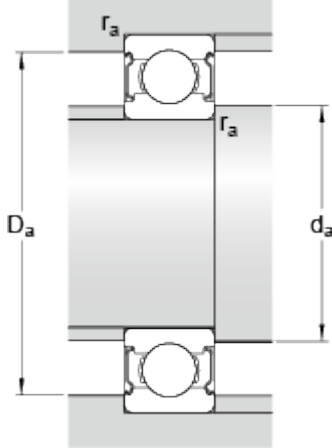
# W 626-2Z

## Dimensions



|                  |          |    |
|------------------|----------|----|
| d                | 6        | mm |
| D                | 19       | mm |
| B                | 6        | mm |
| d <sub>2</sub>   | ≈ 8.5    | mm |
| D <sub>2</sub>   | ≈ 16.5   | mm |
| r <sub>1,2</sub> | min. 0.3 | mm |

## Abutment dimensions



|                |      |     |    |
|----------------|------|-----|----|
| d <sub>a</sub> | min. | 8   | mm |
| d <sub>a</sub> | max. | 8.4 | mm |
| D <sub>a</sub> | max. | 17  | mm |
| r <sub>a</sub> | max. | 0.3 | mm |

## Calculation data

|                           |                |       |       |
|---------------------------|----------------|-------|-------|
| Basic dynamic load rating | C              | 1.53  | kN    |
| Basic static load rating  | C              | 0.585 | kN    |
| Fatigue load limit        | P <sub>u</sub> | 0.025 | kN    |
| Reference speed           |                | 85000 | r/min |
| Limiting speed            |                | 43000 | r/min |
| Calculation factor        | k <sub>r</sub> | 0.03  |       |
| Calculation factor        | f              | 7.9   |       |

## Mass

|              |        |    |
|--------------|--------|----|
| Mass bearing | 0.0077 | kg |
|--------------|--------|----|