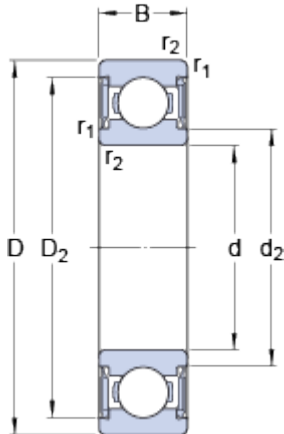


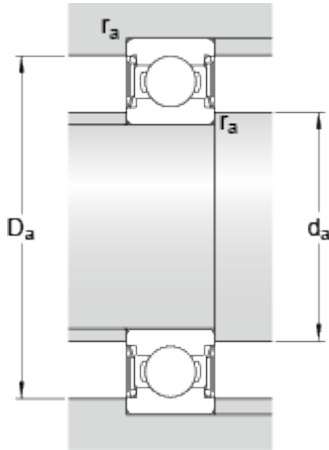
# W 626-2RS1

## Dimensions



d		6	mm
D		19	mm
B		6	mm
d <sub>2</sub>	≈	8.5	mm
D <sub>2</sub>	≈	16.5	mm
r <sub>1,2</sub>	min.	0.3	mm

## Abutment dimensions



d <sub>a</sub>	min.	8	mm
d <sub>a</sub>	max.	8.4	mm
D <sub>a</sub>	max.	17	mm
r <sub>a</sub>	max.	0.3	mm

## Calculation data

Basic dynamic load rating	C	1.53	kN
Basic static load rating	C	0.585	kN
Fatigue load limit	P <sub>u</sub>	0.025	kN
Limiting speed		24000	r/min
Calculation factor	k <sub>r</sub>	0.03	
Calculation factor	f	7.9	

## Mass

Mass bearing		0.0076	kg
--------------	--	--------	----