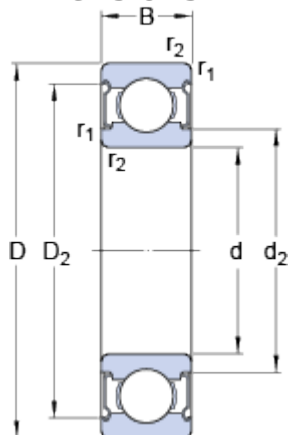


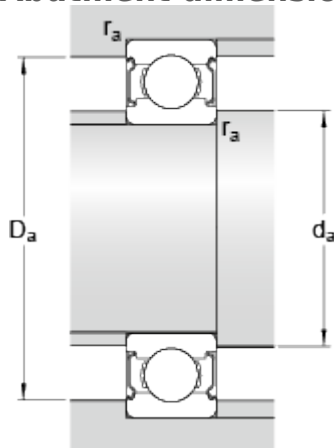
W 625-2Z

Dimensions



d	5	mm
D	16	mm
B	5	mm
d ₂	≈ 7.5	mm
D ₂	≈ 13.4	mm
r _{1,2}	min. 0.3	mm

Abutment dimensions



d _a	min.	7	mm
d _a	max.	7.4	mm
D _a	max.	14	mm
r _a	max.	0.3	mm

Calculation data

Basic dynamic load rating	C	1.43	kN
Basic static load rating	C	0.63	kN
Fatigue load limit	P _u	0.027	kN
Reference speed		100000	r/min
Limiting speed		50000	r/min
Calculation factor	k _r	0.03	
Calculation factor	f	11.8	

Mass

Mass bearing		0.0049	kg
--------------	--	--------	----