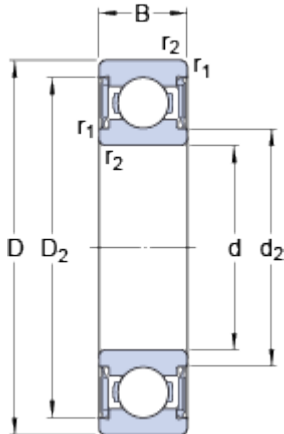


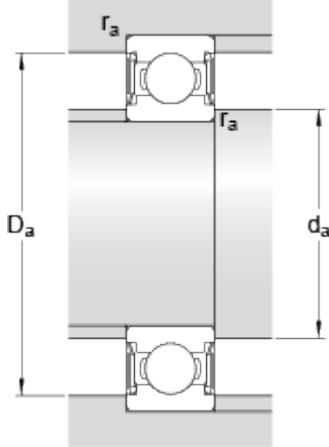
W 625-2RS1

Dimensions



d		5	mm
D		16	mm
B		5	mm
d ₂	≈	7.5	mm
D ₂	≈	13.4	mm
r _{1,2}	min.	0.3	mm

Abutment dimensions



d _a	min.	7	mm
d _a	max.	7.4	mm
D _a	max.	14	mm
r _a	max.	0.3	mm

Calculation data

Basic dynamic load rating	C	1.43	kN
Basic static load rating	C	0.63	kN
Fatigue load limit	P _u	0.027	kN
Limiting speed		28000	r/min
Calculation factor	k _r	0.03	
Calculation factor	f	11.8	

Mass

Mass bearing		0.0049	kg
--------------	--	--------	----