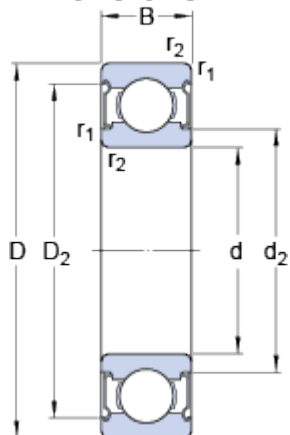


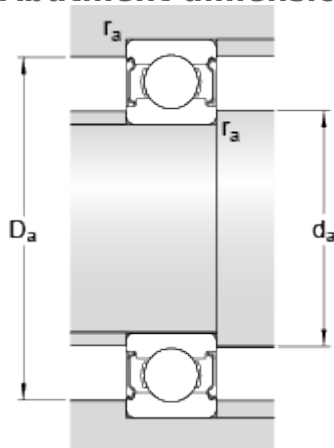
W 623-2Z

Dimensions



| | | | |
|------------------|------|------|----|
| d | | 3 | mm |
| D | | 10 | mm |
| B | | 4 | mm |
| d ₂ | ≈ | 4.35 | mm |
| D ₂ | ≈ | 7.98 | mm |
| r _{1,2} | min. | 0.15 | mm |

Abutment dimensions



| | | | |
|----------------|------|------|----|
| d _a | min. | 3.9 | mm |
| d _a | max. | 4.3 | mm |
| D _a | max. | 8.8 | mm |
| r _a | max. | 0.15 | mm |

Calculation data

| | | | |
|---------------------------|----------------|--------|-------|
| Basic dynamic load rating | C | 0.358 | kN |
| Basic static load rating | C | 0.11 | kN |
| Fatigue load limit | P _u | 0.005 | kN |
| Reference speed | | 140000 | r/min |
| Limiting speed | | 70000 | r/min |
| Calculation factor | k _r | 0.03 | |
| Calculation factor | f | 6.3 | |

Mass

| | | | |
|--------------|--|--------|----|
| Mass bearing | | 0.0016 | kg |
|--------------|--|--------|----|