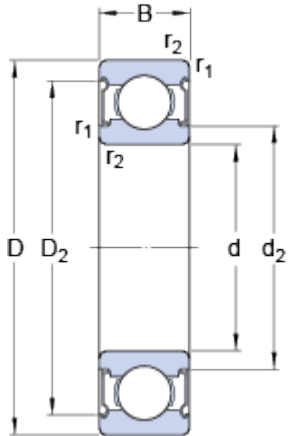


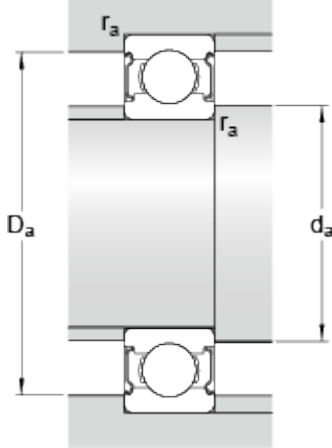
# W 6208-2Z

## Dimensions



d		40	mm
D		80	mm
B		18	mm
d <sub>2</sub>	≈	50.1	mm
D <sub>2</sub>	≈	70.78	mm
r <sub>1,2</sub>	min.	1.1	mm

## Abutment dimensions



d <sub>a</sub>	min.	46.5	mm
d <sub>a</sub>	max.	50	mm
D <sub>a</sub>	max.	73.5	mm
r <sub>a</sub>	max.	1	mm

## Calculation data

Basic dynamic load rating	C	25.1	kN
Basic static load rating	C	17.6	kN
Fatigue load limit	P <sub>u</sub>	0.75	kN
Reference speed		20000	r/min
Limiting speed		10000	r/min
Calculation factor	k <sub>r</sub>	0.03	
Calculation factor	f	14	

## Mass

Mass bearing		0.36	kg
--------------	--	------	----