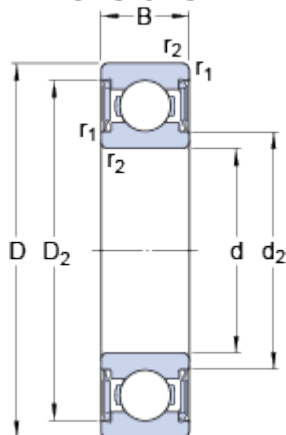


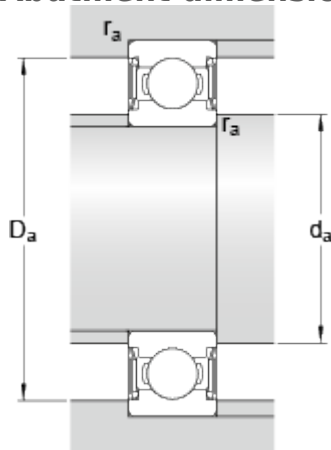
W 6208-2RS1

Dimensions



d		40	mm
D		80	mm
B		18	mm
d ₂	≈	50.1	mm
D ₂	≈	70.78	mm
r _{1,2}	min.	1.1	mm

Abutment dimensions



d _a	min.	46.5	mm
d _a	max.	50	mm
D _a	max.	73.5	mm
r _a	max.	1	mm

Calculation data

Basic dynamic load rating	C	25.1	kN
Basic static load rating	C	17.6	kN
Fatigue load limit	P _u	0.75	kN
Limiting speed		5600	r/min
Calculation factor	k _r	0.03	
Calculation factor	f	14	

Mass

Mass bearing		0.36	kg
--------------	--	------	----