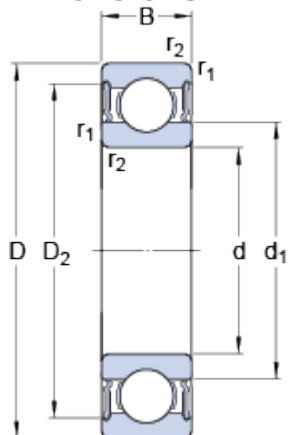


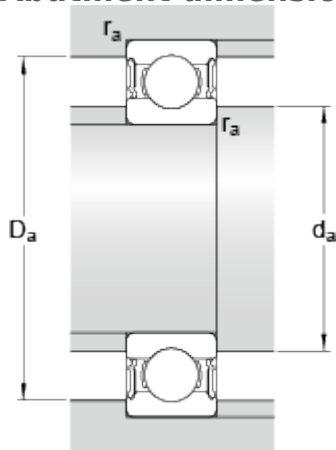
# W 6207-2RS1

## Dimensions



d		35	mm
D		72	mm
B		17	mm
d <sub>1</sub>	≈	47.6	mm
D <sub>2</sub>	≈	64.83	mm
r <sub>1,2</sub>	min.	1.1	mm

## Abutment dimensions



d <sub>a</sub>	min.	41.5	mm
d <sub>a</sub>	max.	46.5	mm
D <sub>a</sub>	max.	65.5	mm
r <sub>a</sub>	max.	1	mm

## Calculation data

Basic dynamic load rating	C	22.1	kN
Basic static load rating	C	15.3	kN
Fatigue load limit	P <sub>u</sub>	0.655	kN
Limiting speed		6000	r/min
Calculation factor	k <sub>r</sub>	0.03	
Calculation factor	f	13.9	

## Mass

Mass bearing		0.28	kg
--------------	--	------	----