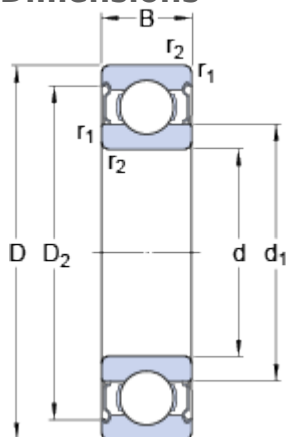


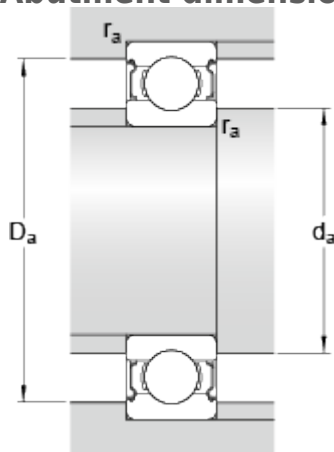
# W 6205-2Z

## Dimensions



d		25	mm
D		52	mm
B		15	mm
d <sub>1</sub>	≈	34	mm
D <sub>2</sub>	≈	45.72	mm
r <sub>1,2</sub>	min.	1	mm

## Abutment dimensions



d <sub>a</sub>	min.	30	mm
d <sub>a</sub>	max.	33.5	mm
D <sub>a</sub>	max.	47	mm
r <sub>a</sub>	max.	1	mm

## Calculation data

Basic dynamic load rating	C	11.7	kN
Basic static load rating	C	7.65	kN
Fatigue load limit	P <sub>u</sub>	0.335	kN
Reference speed		30000	r/min
Limiting speed		15000	r/min
Calculation factor	k <sub>r</sub>	0.03	
Calculation factor	f	13.8	

## Mass

Mass bearing		0.13	kg
--------------	--	------	----