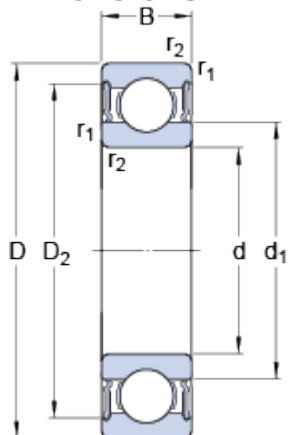


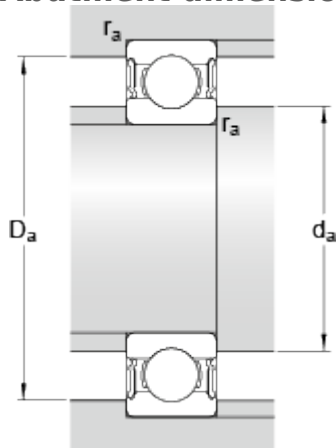
W 6205-2RS1

Dimensions



d		25	mm
D		52	mm
B		15	mm
d ₁	≈	34	mm
D ₂	≈	45.72	mm
r _{1,2}	min.	1	mm

Abutment dimensions



d _a	min.	30	mm
d _a	max.	33.5	mm
D _a	max.	47	mm
r _a	max.	1	mm

Calculation data

Basic dynamic load rating	C	11.7	kN
Basic static load rating	C	7.65	kN
Fatigue load limit	P _u	0.335	kN
Limiting speed		8500	r/min
Calculation factor	k _r	0.03	
Calculation factor	f	13.8	

Mass

Mass bearing		0.13	kg
--------------	--	------	----