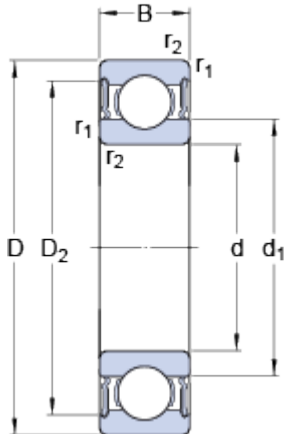


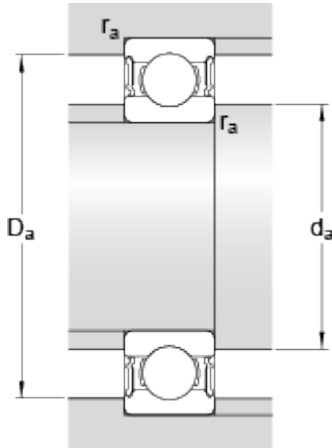
W 61907-2RS1

Dimensions



d		35	mm
D		55	mm
B		10	mm
d ₁	≈	42.2	mm
D ₂	≈	52.15	mm
r _{1,2}	min.	0.6	mm

Abutment dimensions



d _a	min.	39	mm
d _a	max.	42	mm
D _a	max.	52.5	mm
r _a	max.	0.6	mm

Calculation data

Basic dynamic load rating	C	9.36	kN
Basic static load rating	C	7.65	kN
Fatigue load limit	P _u	0.325	kN
Limiting speed		7500	r/min
Calculation factor	k _r	0.025	
Calculation factor	f	15.7	

Mass

Mass bearing		0.073	kg
--------------	--	-------	----