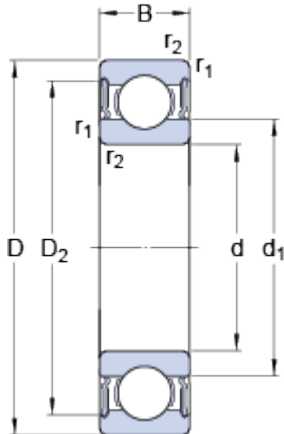


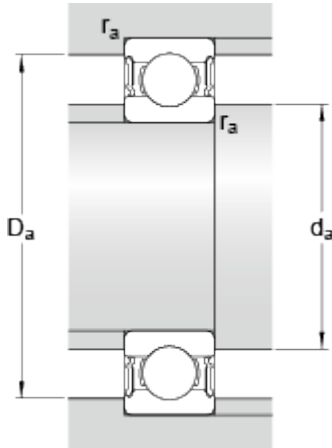
# W 61906-2RS1

## Dimensions



d		30	mm
D		47	mm
B		9	mm
d <sub>1</sub>	≈	35.1	mm
D <sub>2</sub>	≈	44.08	mm
r <sub>1,2</sub>	min.	0.3	mm

## Abutment dimensions



d <sub>a</sub>	min.	32	mm
d <sub>a</sub>	max.	35	mm
D <sub>a</sub>	max.	45	mm
r <sub>a</sub>	max.	0.3	mm

## Calculation data

Basic dynamic load rating	C	6.24	kN
Basic static load rating	C	5	kN
Fatigue load limit	P <sub>u</sub>	0.212	kN
Limiting speed		8500	r/min
Calculation factor	k <sub>r</sub>	0.025	
Calculation factor	f	15.8	

## Mass

Mass bearing		0.047	kg
--------------	--	-------	----