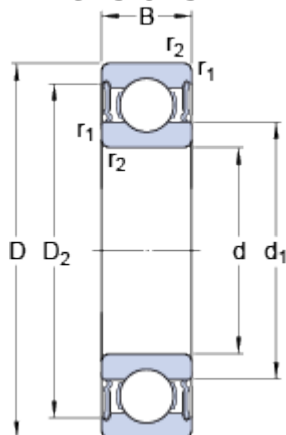


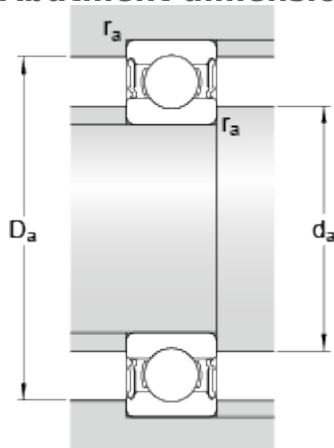
# W 61807-2RS1

## Dimensions



d		35	mm
D		47	mm
B		7	mm
d <sub>1</sub>	≈	38.21	mm
D <sub>2</sub>	≈	43.69	mm
r <sub>1,2</sub>	min.	0.3	mm

## Abutment dimensions



d <sub>a</sub>	min.	37	mm
d <sub>a</sub>	max.	38	mm
D <sub>a</sub>	max.	45	mm
r <sub>a</sub>	max.	0.3	mm

## Calculation data

Basic dynamic load rating	C	3.71	kN
Basic static load rating	C	3.35	kN
Fatigue load limit	P <sub>u</sub>	0.14	kN
Limiting speed		8500	r/min
Calculation factor	k <sub>r</sub>	0.02	
Calculation factor	f	14.3	

## Mass

Mass bearing		0.03	kg
--------------	--	------	----