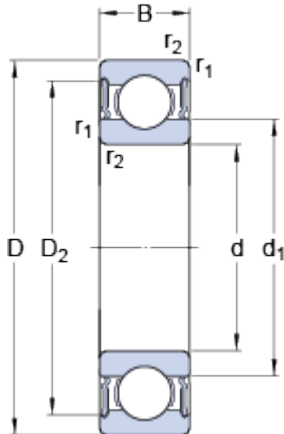


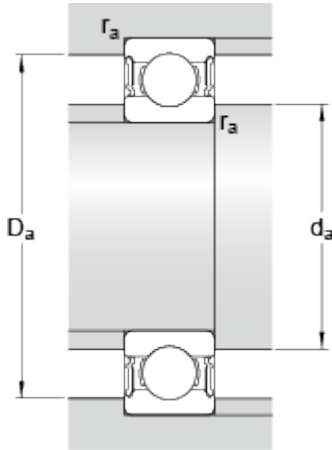
W 61806-2RS1

Dimensions



d		30	mm
D		42	mm
B		7	mm
d ₁	≈	33.11	mm
D ₂	≈	39.2	mm
r _{1,2}	min.	0.3	mm

Abutment dimensions



d _a	min.	32	mm
d _a	max.	33	mm
D _a	max.	40	mm
r _a	max.	0.3	mm

Calculation data

Basic dynamic load rating	C	3.58	kN
Basic static load rating	C	2.9	kN
Fatigue load limit	P _u	0.125	kN
Limiting speed		9500	r/min
Calculation factor	k _r	0.02	
Calculation factor	f	14.1	

Mass

Mass bearing		0.024	kg
--------------	--	-------	----