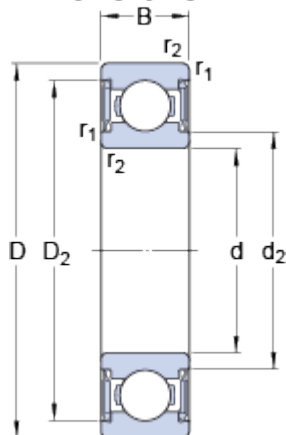


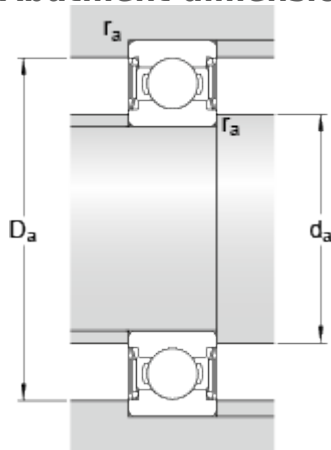
W 61804-2RS1

Dimensions



d		20	mm
D		32	mm
B		7	mm
d ₂	≈	22.6	mm
D ₂	≈	29.52	mm
r _{1,2}	min.	0.3	mm

Abutment dimensions



d _a	min.	22	mm
d _a	max.	22.5	mm
D _a	max.	30.5	mm
r _a	max.	0.3	mm

Calculation data

Basic dynamic load rating	C	3.12	kN
Basic static load rating	C	2.08	kN
Fatigue load limit	P _u	0.09	kN
Limiting speed		13000	r/min
Calculation factor	k _r	0.02	
Calculation factor	f	13.3	

Mass

Mass bearing		0.017	kg
--------------	--	-------	----