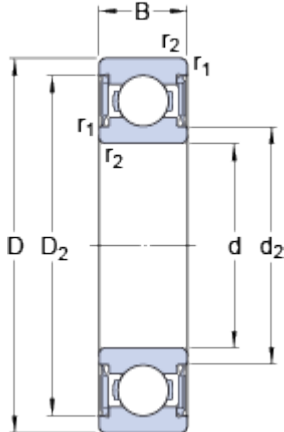


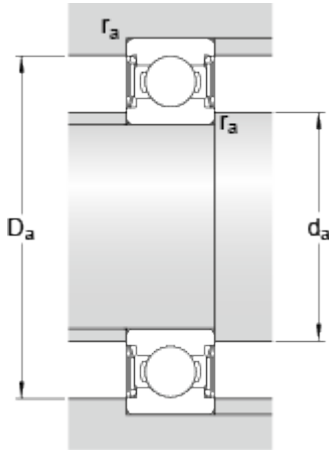
W 61802-2RS1

Dimensions



d	15	mm
D	24	mm
B	5	mm
d ₂	≈ 16.8	mm
D ₂	≈ 22.15	mm
r _{1,2}	min. 0.3	mm

Abutment dimensions



d _a	min.	16.5	mm
d _a	max.	16.5	mm
D _a	max.	22.5	mm
r _a	max.	0.3	mm

Calculation data

Basic dynamic load rating	C	1.65	kN
Basic static load rating	C	1.08	kN
Fatigue load limit	P _u	0.048	kN
Limiting speed		17000	r/min
Calculation factor	k _r	0.02	
Calculation factor	f	13.8	

Mass

Mass bearing	0.0071	kg
--------------	--------	----