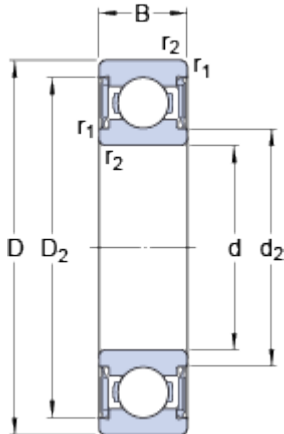


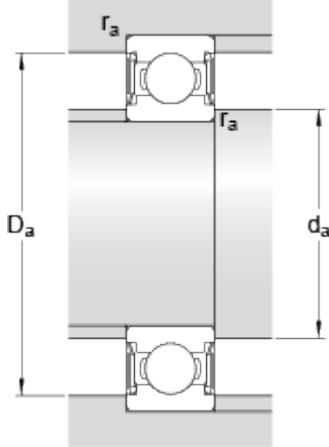
W 607-2RS1

Dimensions



d		7	mm
D		19	mm
B		6	mm
d ₂	≈	9	mm
D ₂	≈	16.5	mm
r _{1,2}	min.	0.3	mm

Abutment dimensions



d _a	min.	8.7	mm
d _a	max.	8.9	mm
D _a	max.	17	mm
r _a	max.	0.3	mm

Calculation data

Basic dynamic load rating	C	1.53	kN
Basic static load rating	C	0.585	kN
Fatigue load limit	P _u	0.025	kN
Limiting speed		24000	r/min
Calculation factor	k _r	0.03	
Calculation factor	f	7.9	

Mass

Mass bearing		0.0072	kg
--------------	--	--------	----