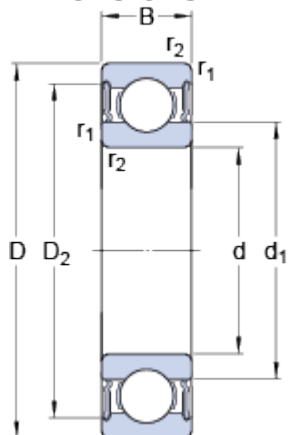


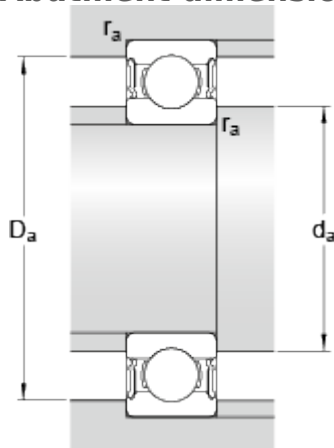
W 6008-2RS1

Dimensions



| | | | |
|------------------|------|------|----|
| d | | 40 | mm |
| D | | 68 | mm |
| B | | 15 | mm |
| d ₁ | ≈ | 49.2 | mm |
| D ₂ | ≈ | 62.5 | mm |
| r _{1,2} | min. | 1 | mm |

Abutment dimensions



| | | | |
|----------------|------|------|----|
| d _a | min. | 45 | mm |
| d _a | max. | 49 | mm |
| D _a | max. | 63.5 | mm |
| r _a | max. | 1 | mm |

Calculation data

| | | | |
|---------------------------|----------------|------|-------|
| Basic dynamic load rating | C | 14.6 | kN |
| Basic static load rating | C | 11.4 | kN |
| Fatigue load limit | P _u | 0.49 | kN |
| Limiting speed | | 6300 | r/min |
| Calculation factor | k _r | 0.03 | |
| Calculation factor | f | 15.2 | |

Mass

| | | | |
|--------------|--|------|----|
| Mass bearing | | 0.18 | kg |
|--------------|--|------|----|