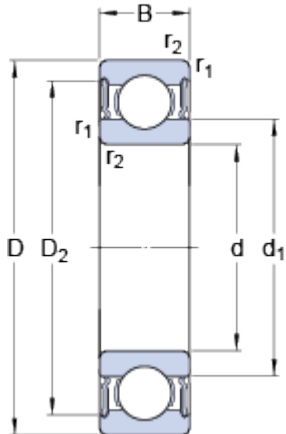


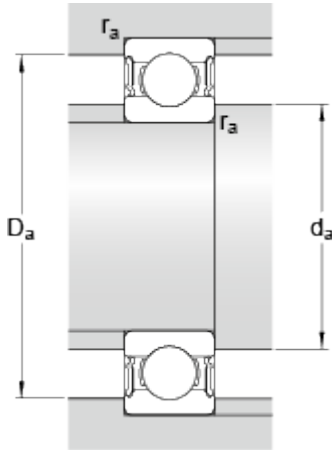
W 6006-2RS1

Dimensions



d		30	mm
D		55	mm
B		13	mm
d ₁	≈	38	mm
D ₂	≈	49.95	mm
r _{1,2}	min.	1	mm

Abutment dimensions



d _a	min.	35	mm
d _a	max.	37.5	mm
D _a	max.	50.5	mm
r _a	max.	1	mm

Calculation data

Basic dynamic load rating	C	11.4	kN
Basic static load rating	C	8.15	kN
Fatigue load limit	P _u	0.355	kN
Limiting speed		8000	r/min
Calculation factor	k _r	0.03	
Calculation factor	f	14.7	

Mass

Mass bearing		0.11	kg
--------------	--	------	----