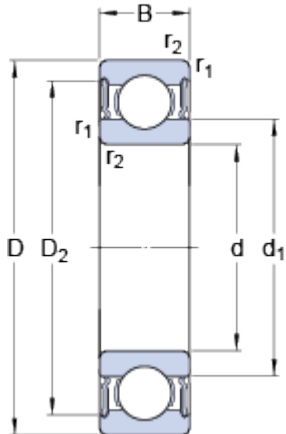


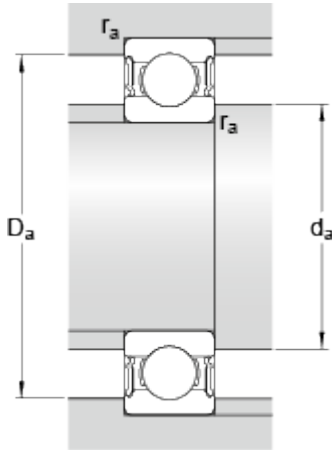
# W 6004-2RS1

## Dimensions



d		20	mm
D		42	mm
B		12	mm
d <sub>1</sub>	≈	27.6	mm
D <sub>2</sub>	≈	38.75	mm
r <sub>1,2</sub>	min.	0.6	mm

## Abutment dimensions



d <sub>a</sub>	min.	24	mm
d <sub>a</sub>	max.	27.5	mm
D <sub>a</sub>	max.	39.5	mm
r <sub>a</sub>	max.	0.6	mm

## Calculation data

Basic dynamic load rating	C	8.06	kN
Basic static load rating	C	5	kN
Fatigue load limit	P <sub>u</sub>	0.212	kN
Limiting speed		11000	r/min
Calculation factor	k <sub>r</sub>	0.03	
Calculation factor	f	13.9	

## Mass

Mass bearing		0.064	kg
--------------	--	-------	----