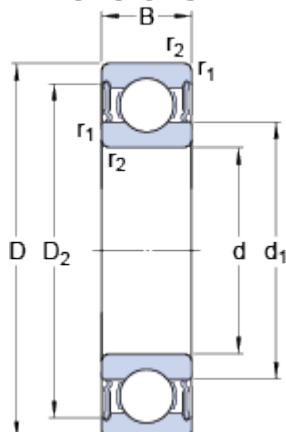


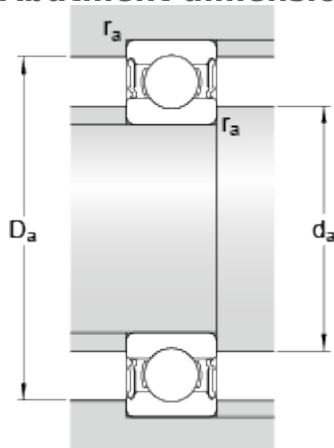
# W 6003-2RS1

## Dimensions



|                  |      |       |    |
|------------------|------|-------|----|
| d                |      | 17    | mm |
| D                |      | 35    | mm |
| B                |      | 10    | mm |
| d <sub>1</sub>   | ≈    | 23.5  | mm |
| D <sub>2</sub>   | ≈    | 31.85 | mm |
| r <sub>1,2</sub> | min. | 0.3   | mm |

## Abutment dimensions



|                |      |     |    |
|----------------|------|-----|----|
| d <sub>a</sub> | min. | 19  | mm |
| d <sub>a</sub> | max. | 23  | mm |
| D <sub>a</sub> | max. | 33  | mm |
| r <sub>a</sub> | max. | 0.3 | mm |

## Calculation data

|                           |                |       |       |
|---------------------------|----------------|-------|-------|
| Basic dynamic load rating | C              | 4.94  | kN    |
| Basic static load rating  | C              | 3.15  | kN    |
| Fatigue load limit        | P <sub>u</sub> | 0.137 | kN    |
| Limiting speed            |                | 13000 | r/min |
| Calculation factor        | k <sub>r</sub> | 0.03  |       |
| Calculation factor        | f              | 14.1  |       |

## Mass

|              |  |       |    |
|--------------|--|-------|----|
| Mass bearing |  | 0.038 | kg |
|--------------|--|-------|----|