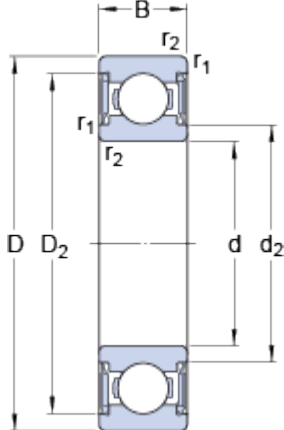


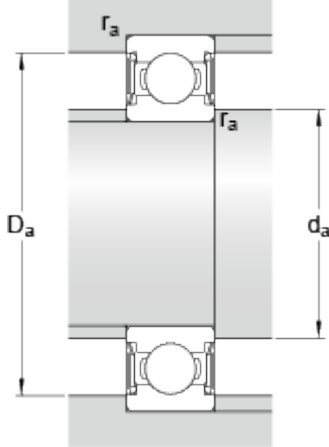
W 6001-2RS1

Dimensions



d		12	mm
D		28	mm
B		8	mm
d ₂	≈	16	mm
D ₂	≈	25.15	mm
r _{1,2}	min.	0.3	mm

Abutment dimensions



d _a	min.	14	mm
d _a	max.	15.5	mm
D _a	max.	26	mm
r _a	max.	0.3	mm

Calculation data

Basic dynamic load rating	C	4.42	kN
Basic static load rating	C	2.36	kN
Fatigue load limit	P _u	0.102	kN
Limiting speed		16000	r/min
Calculation factor	k _r	0.03	
Calculation factor	f	13.2	

Mass

Mass bearing		0.02	kg
--------------	--	------	----