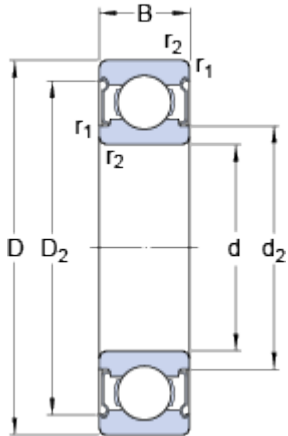


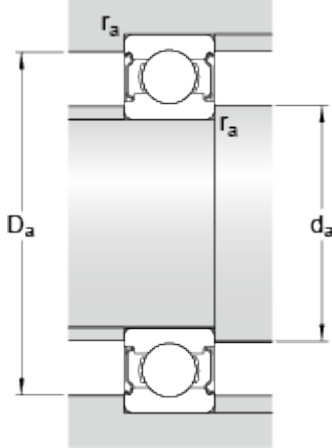
W 6000-2Z

Dimensions



d	10	mm
D	26	mm
B	8	mm
d ₂	≈ 13.9	mm
D ₂	≈ 22.38	mm
r _{1,2}	min. 0.3	mm

Abutment dimensions



d _a	min.	12	mm
d _a	max.	13.5	mm
D _a	max.	24	mm
r _a	max.	0.3	mm

Calculation data

Basic dynamic load rating	C	3.97	kN
Basic static load rating	C	1.96	kN
Fatigue load limit	P _u	0.083	kN
Reference speed		67000	r/min
Limiting speed		32000	r/min
Calculation factor	k _r	0.03	
Calculation factor	f	12.4	

Mass

Mass bearing		0.018	kg
--------------	--	-------	----