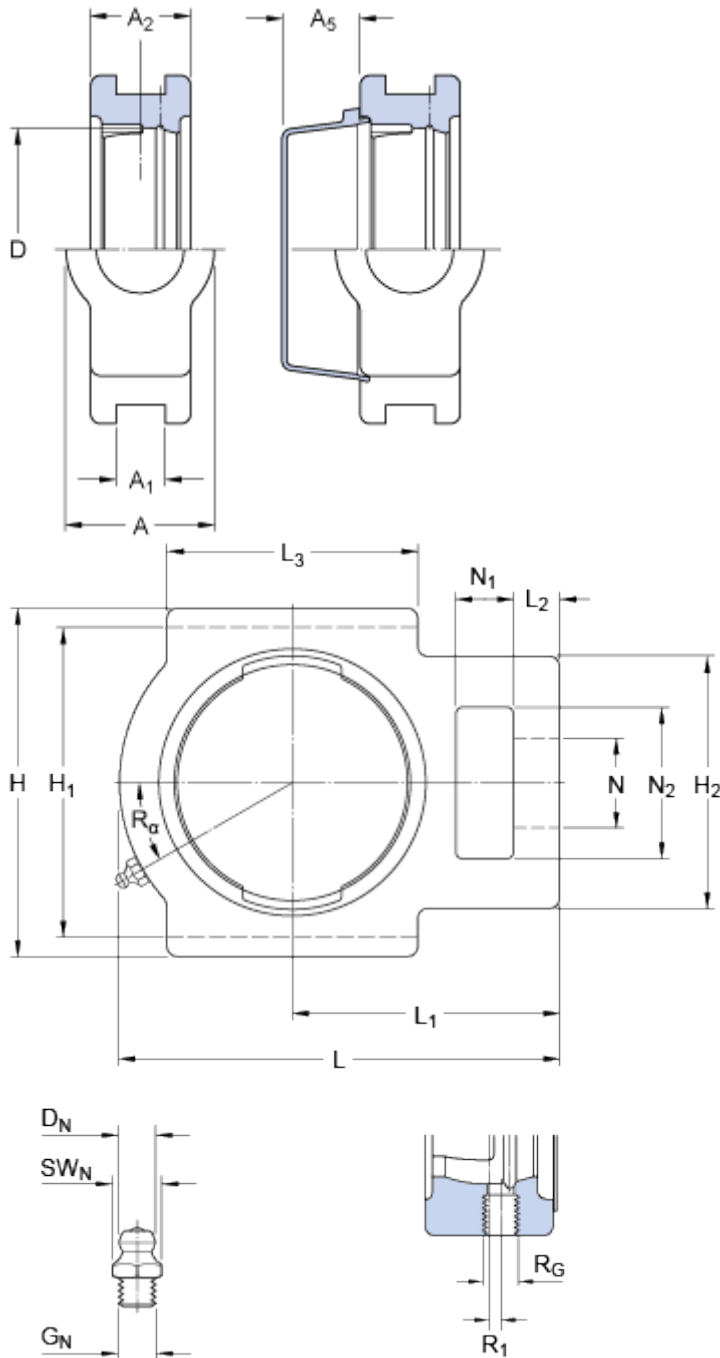


TU 505 M

Dimensions



D	52	mm
A	34	mm
A ₁	13.5	mm
A ₂	25	mm
A ₅	18	mm
H	91	mm
H ₁	76	mm
H ₂	53	mm
L	100	mm
L ₁	64	mm
L ₂	10	mm
L ₃	52	mm
N	19	mm
N ₁	16	mm
N ₂	33	mm

Threaded hole

R _G	1/4-28 UNF
R ₁	2 mm
R _α	30 °

Grease fitting

D _N	6.5	mm
SW _N	7	mm
G _N	1/4-28 SAE-LT	

Mass

Mass housing	0.67	kg
--------------	------	----

Appropriate products

End cover	ECY 205
-----------	-------------------------

