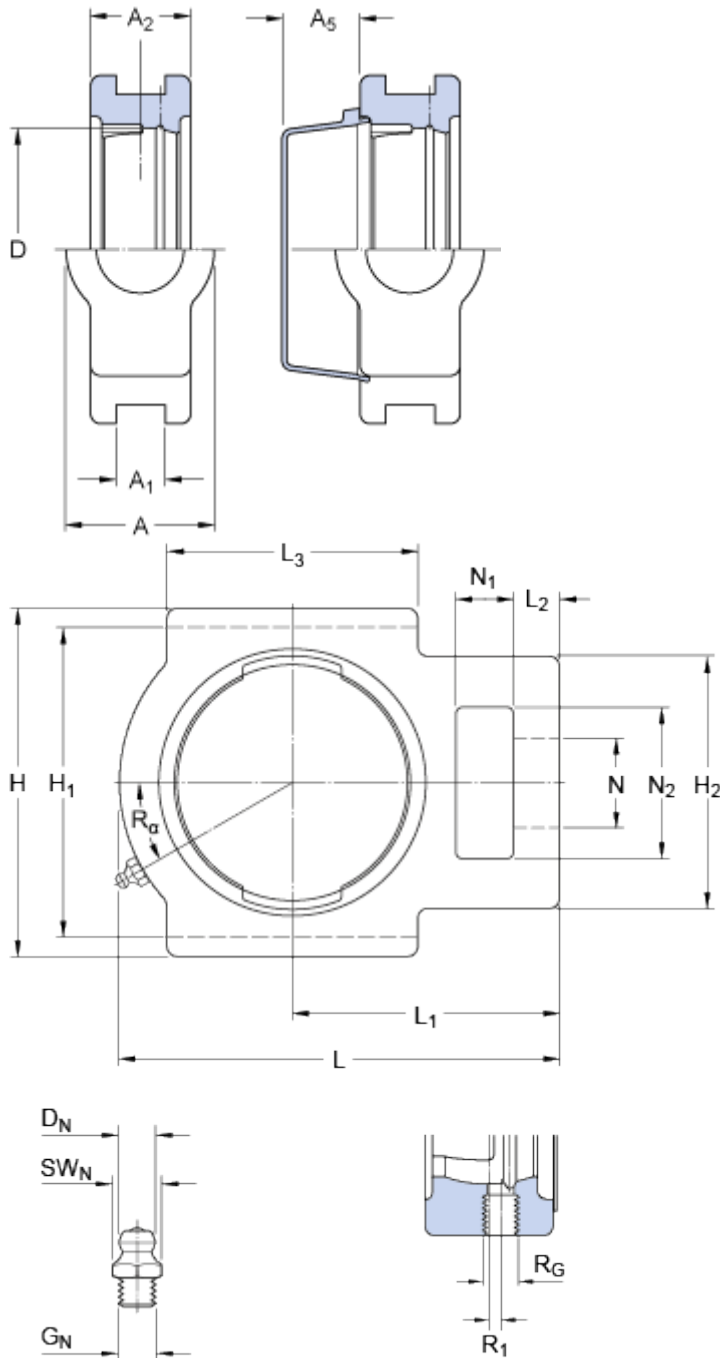


TU 504 M

Dimensions



| | | |
|----------------|------|----|
| D | 47 | mm |
| A | 34 | mm |
| A ₁ | 13.5 | mm |
| A ₂ | 25 | mm |
| A ₅ | 18.5 | mm |
| H | 92 | mm |
| H ₁ | 76 | mm |
| H ₂ | 54 | mm |
| L | 97 | mm |
| L ₁ | 62 | mm |
| L ₂ | 10 | mm |
| L ₃ | 54 | mm |
| N | 19 | mm |
| N ₁ | 16 | mm |
| N ₂ | 32 | mm |

Threaded hole

| | | |
|----------------|------------|----|
| R _G | 1/4-28 UNF | |
| R ₁ | 2.5 | mm |
| R _α | 30 | ° |

Grease fitting

| | | |
|-----------------|---------------|----|
| D _N | 6.5 | mm |
| SW _N | 7 | mm |
| G _N | 1/4-28 SAE-LT | |

Mass

| | | |
|--------------|------|----|
| Mass housing | 0.74 | kg |
|--------------|------|----|

Appropriate products

| | | |
|-----------|-------------------------|--|
| End cover | ECY 204 | |
|-----------|-------------------------|--|

