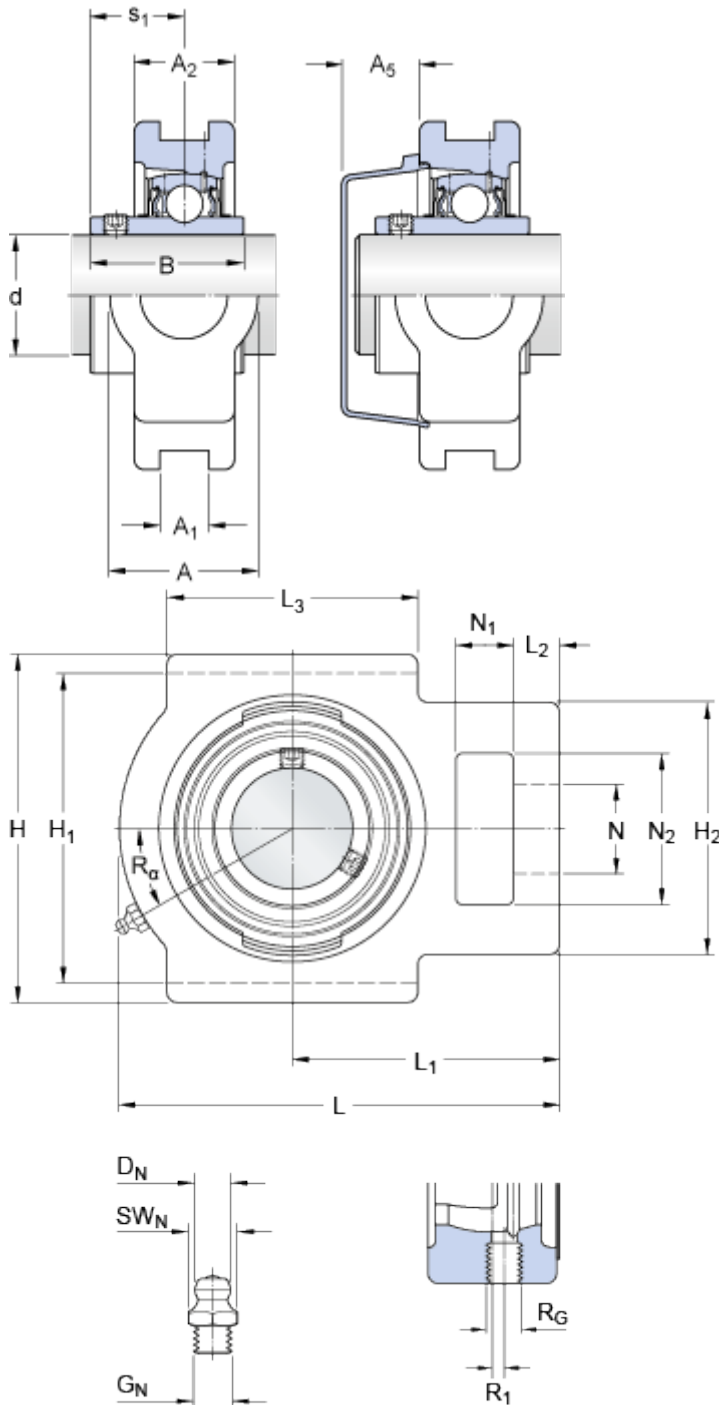


# TU 35 TF

Housing material

Cast iron

## Dimensions



$d$	35	mm
$A$	37	mm
$A_1$	13.5	mm
$A_2$	30	mm
$A_5$	22	mm
$B$	42.9	mm
$B_4$	6	mm
$H$	103	mm
$H_1$	89	mm
$H_2$	64	mm
$L$	129	mm
$L_1$	78	mm
$L_2$	12	mm
$L_3$	64	mm
$N$	22	mm
$N_1$	17	mm
$N_2$	38	mm
$s_1$	25.4	mm

## Threaded hole

$R_G$  1/4-28 UNF

$R_1$  3.5 mm

$R_\alpha$  30 °

## Grease fitting

$D_N$  6.5 mm

$SW_N$  7 mm

$G_N$  1/4-28 SAE-LT

## Calculation data

Basic dynamic load rating	C	25.5	kN
Basic static load rating	C	15.3	kN
Fatigue load limit	$P_u$	0.655	kN
Limiting speed with shaft tolerance h6		5300	r/min

## Mass

---

Mass bearing unit	1.5	kg
-------------------	-----	----

---

### Mounting information

Grub (set) screw	G <sub>2</sub>	M6x0.75
Hexagonal key size for grub screw	N	3 mm
Recommended tightening torque for grub screw	4	N·m

---

### Included products

Housing	<a href="#">TU 507 M</a>
Bearing	<a href="#">YAR 207-2F</a>

---

### Associated products

End cover	<a href="#">ECY 207</a>
-----------	-------------------------