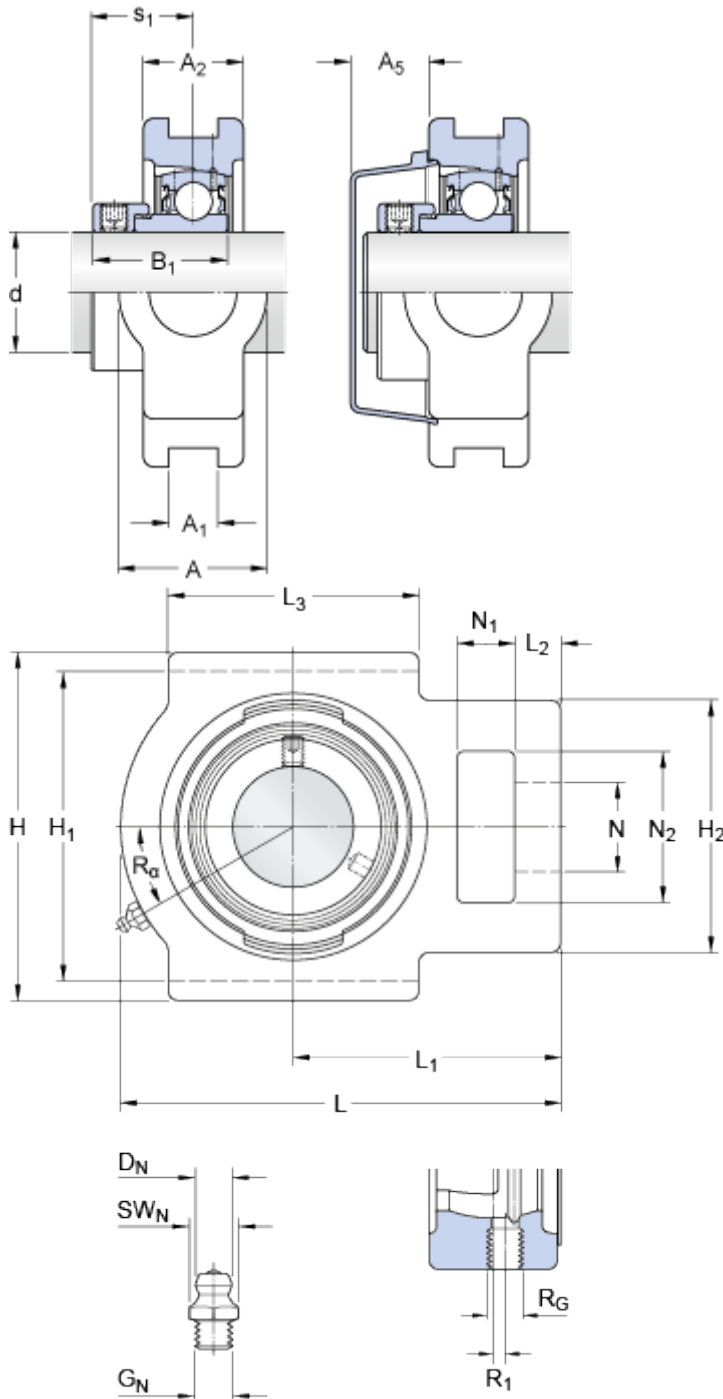


TU 35 FM

Housing material

Cast iron

Dimensions



d	35	mm
A	37	mm
A_1	13.5	mm
A_2	30	mm
A_5	22	mm
B	25.4	mm
H	103	mm
H_1	89	mm
H_2	64	mm
L	129	mm
L_1	78	mm
L_2	12	mm
L_3	64	mm
N	22	mm
N_1	17	mm
N_2	38	mm
s_1	29.4	mm

Threaded hole

R_G	1/4-28 UNF	
R_1	3.5	mm
R_α	30	°

Grease fitting

D_N	6.5	mm
SW_N	7	mm
G_N	1/4-28 SAE-LT	

Calculation data

Basic dynamic load rating	C	25.5	kN
Basic static load rating	C	15.3	kN
Fatigue load limit	P_u	0.655	kN
Limiting speed with shaft tolerance h6		5300	r/min

Mass

Mass bearing unit		1.55	kg
-------------------	--	------	----

Mounting information

Grub (set) screw	G ₂	M10x1	
Hexagonal key size for grub screw	N	5	mm
Recommended tightening torque for grub screw		16.5	N·m

Included products

Housing	TU 507 M
Bearing	YET 207

Assosiated products

End cover	ECY 207
-----------	-------------------------