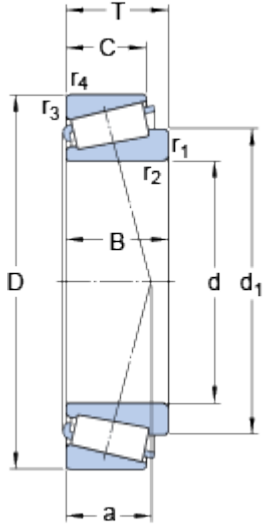


# T2ED 045

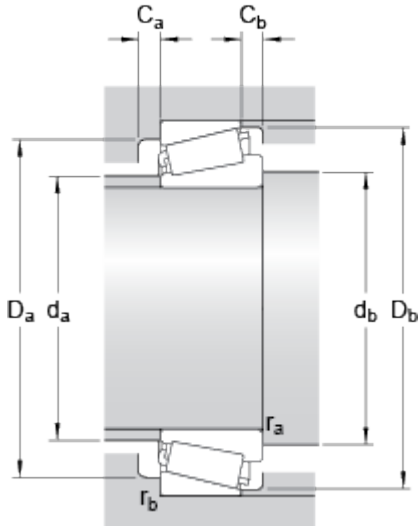
SKF Explorer

## Dimensions



d	45	mm
D	95	mm
T	36	mm
d <sub>1</sub>	≈ 68.7	mm
B	35	mm
C	30	mm
r <sub>1,2</sub>	min. 2.5	mm
r <sub>3,4</sub>	min. 2.5	mm
a	23.434	mm

## Abutment dimensions



d <sub>a</sub>	max.	55	mm
d <sub>b</sub>	min.	56	mm
D <sub>a</sub>	min.	80	mm
D <sub>a</sub>	max.	85	mm
D <sub>b</sub>	min.	89	mm
C <sub>a</sub>	min.	6	mm
C <sub>b</sub>	min.	6	mm

## Calculation data

Basic dynamic load rating	C	182	kN
Basic static load rating	C	186	kN
Fatigue load limit	P <sub>u</sub>	20.8	kN
Reference speed		6000	r/min
Limiting speed		7000	r/min
Calculation factor	e	0.33	
Calculation factor	Y	1.8	
Calculation factor	Y	1	

## Mass

Mass bearing	1.22	kg
--------------	------	----

