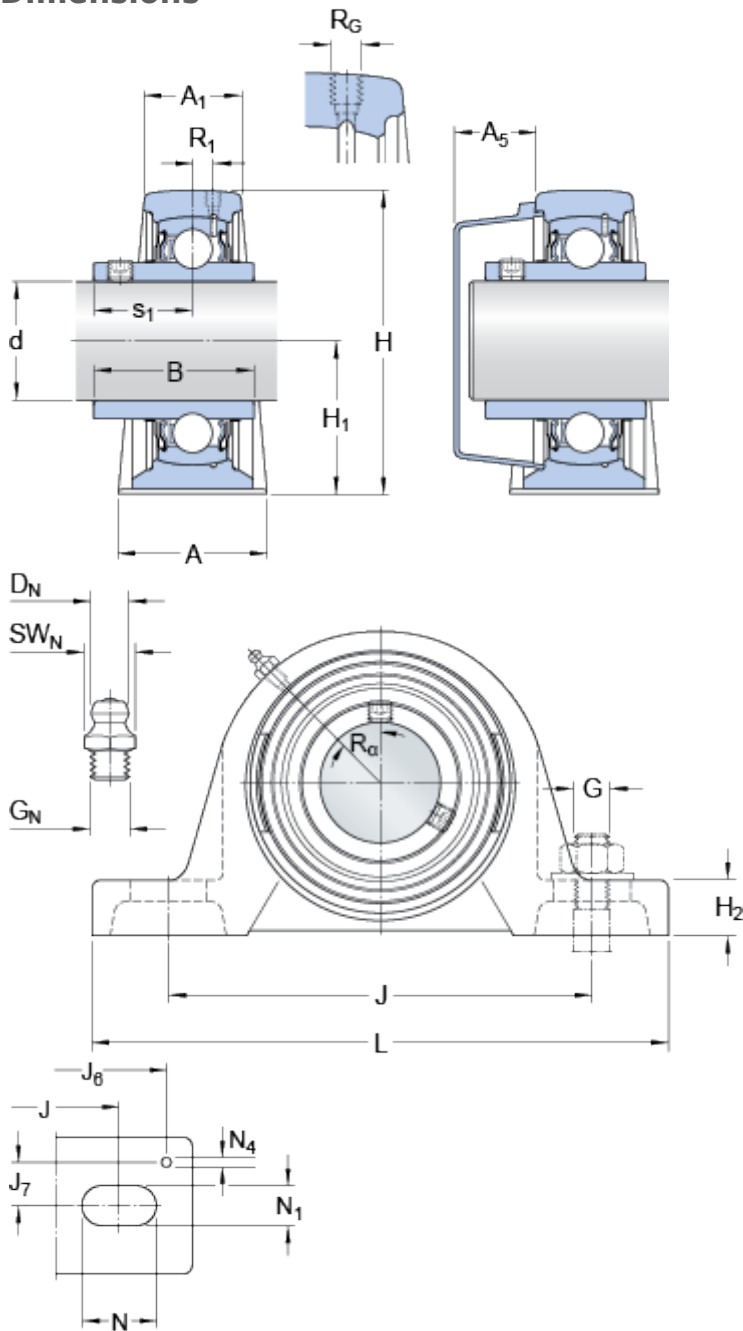


# SY 50 TF

Material

Cast iron

## Dimensions



d	50	mm
A	54	mm
A <sub>1</sub>	34	mm
A <sub>5</sub>	29.5	mm
B	51.6	mm
H	114	mm
H <sub>1</sub>	57.2	mm
H <sub>2</sub>	22	mm
J	157	mm
J	max. 165	mm
J	min. 149	mm
L	203	mm
N	26	mm
N <sub>1</sub>	18	mm
s <sub>1</sub>	32.6	mm

### Threaded hole

R <sub>G</sub>	1/4-28 UNF
R <sub>1</sub>	4 mm
R <sub>α</sub>	45 °

### Grease fitting

D <sub>N</sub>	6.5	mm
SW <sub>N</sub>	7	mm
G <sub>N</sub>	1/4-28 SAE-LT	

### Dowel pins

J <sub>6</sub>	187	mm
J <sub>7</sub>	19	mm
N <sub>4</sub>	4	mm

## Calculation data

Basic dynamic load rating	C	35.1	kN
Basic static load rating	C	23.2	kN
Fatigue load limit	P <sub>u</sub>	0.98	kN
Limiting speed		4000	r/min

(with shaft tolerance h6)

## Mass

---

Mass bearing unit	2.6	kg
-------------------	-----	----

## Mounting information

---

Hexagonal key size for grub screw	N	5	mm
Recommended tightening torque for grub screw		16.5	N·m
Recommended diameter for attachment bolts, mm	G	16	mm
Recommended diameter for attachment bolts, inch	G	0.625	in

## Included products

---

Housing	<a href="#">SY 510 M</a>
Bearing	<a href="#">YAR 210-2F</a>

## Associated products

---

End cover	<a href="#">ECY 210</a>
-----------	-------------------------