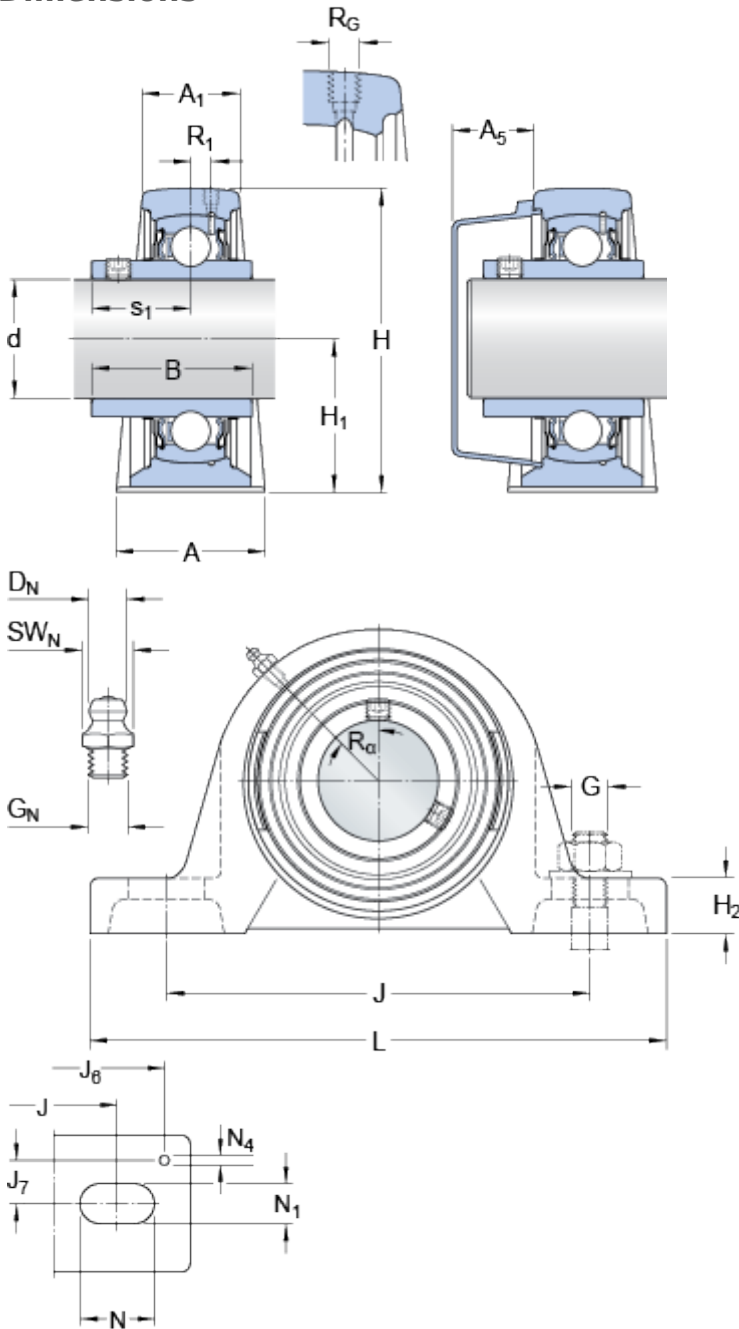


# SY 45 TF

Material

Cast iron

## Dimensions



d	45	mm
A	48	mm
A <sub>1</sub>	32	mm
A <sub>5</sub>	23	mm
B	49.2	mm
H	107	mm
H <sub>1</sub>	54	mm
H <sub>2</sub>	21	mm
J	143.5	mm
J	max. 152	mm
J	min. 135	mm
L	187	mm
N	22.5	mm
N <sub>1</sub>	14	mm
s <sub>1</sub>	30.2	mm

### Threaded hole

R <sub>G</sub>	1/4-28 UNF
R <sub>1</sub>	4 mm
R <sub>α</sub>	45 °

### Grease fitting

D <sub>N</sub>	6.5	mm
SW <sub>N</sub>	7	mm
G <sub>N</sub>	1/4-28 SAE-LT	

### Dowel pins

J <sub>6</sub>	173	mm
J <sub>7</sub>	17	mm
N <sub>4</sub>	4	mm

## Calculation data

Basic dynamic load rating	C	33.2	kN
Basic static load rating	C	21.6	kN
Fatigue load limit	P <sub>u</sub>	0.915	kN
Limiting speed		4300	r/min

(with shaft tolerance h6)

## Mass

---

Mass bearing unit	2.1	kg
-------------------	-----	----

## Mounting information

---

Hexagonal key size for grub screw	N	4	mm
Recommended tightening torque for grub screw		6.5	N·m
Recommended diameter for attachment bolts, mm	G	12	mm
Recommended diameter for attachment bolts, inch	G	0.5	in

## Included products

---

Housing	<a href="#">SY 509 M</a>
Bearing	<a href="#">YAR 209-2F</a>

## Associated products

---

End cover	<a href="#">ECY 209</a>
-----------	-------------------------