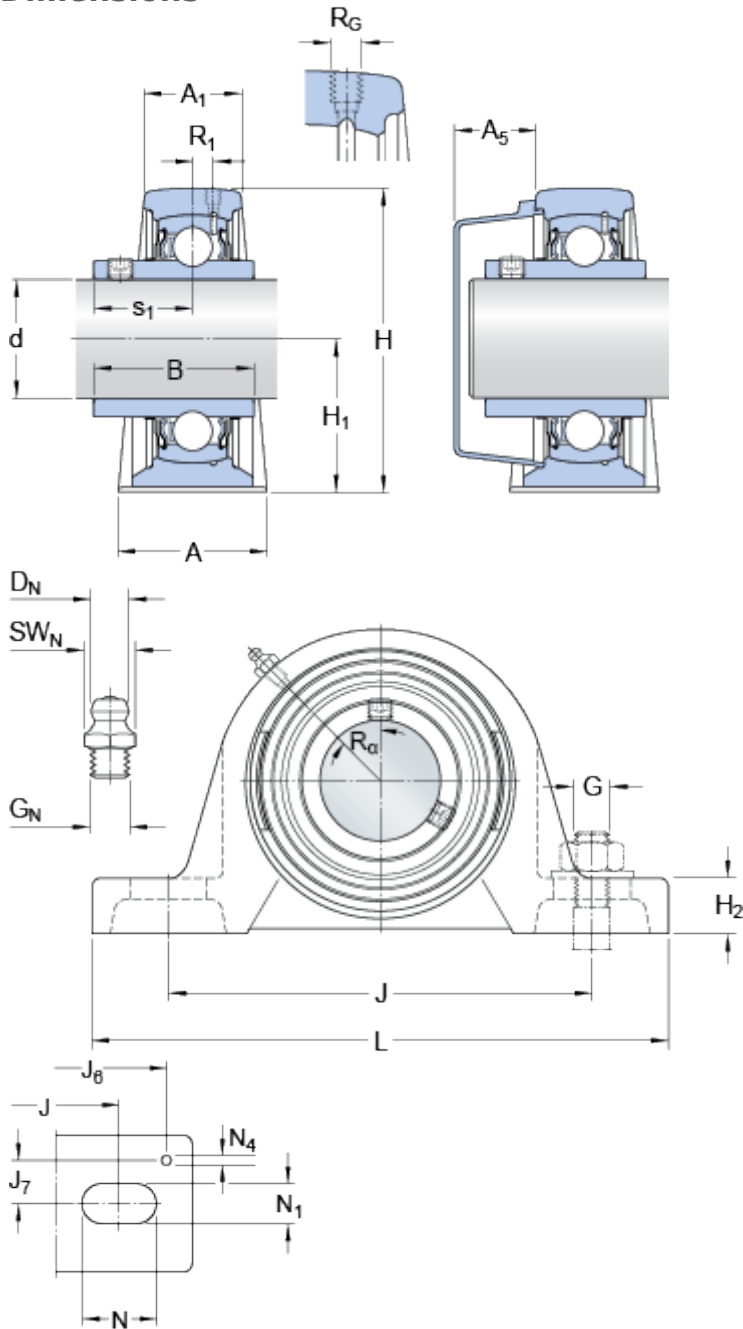


SY 30 TF

Material

Cast iron

Dimensions



d	30	mm
A	40	mm
A ₁	25	mm
A ₅	20	mm
B	38.1	mm
H	82	mm
H ₁	42.9	mm
H ₂	17	mm
J	117.5	mm
J	max. 127	mm
J	min. 108	mm
L	152	mm
N	23.5	mm
N ₁	14	mm
s ₁	22.2	mm

Threaded hole

R _G	1/4-28 UNF
R ₁	3 mm
R _α	45 °

Grease fitting

D _N	6.5 mm
SW _N	7 mm
G _N	1/4-28 SAE-LT

Dowel pins

J ₆	140 mm
J ₇	14 mm
N ₄	4 mm

Calculation data

Basic dynamic load rating	C	19.5	kN
Basic static load rating	C	11.2	kN
Fatigue load limit	P _u	0.475	kN
Limiting speed		6300	r/min

(with shaft tolerance h6)

Mass

Mass bearing unit	1.05	kg
-------------------	------	----

Mounting information

Hexagonal key size for grub screw	N	3	mm
Recommended tightening torque for grub screw		4	N·m
Recommended diameter for attachment bolts, mm	G	12	mm
Recommended diameter for attachment bolts, inch	G	0.5	in

Included products

Housing	SY 506 M
Bearing	YAR 206-2F

Associated products

End cover	ECY 206
-----------	-------------------------