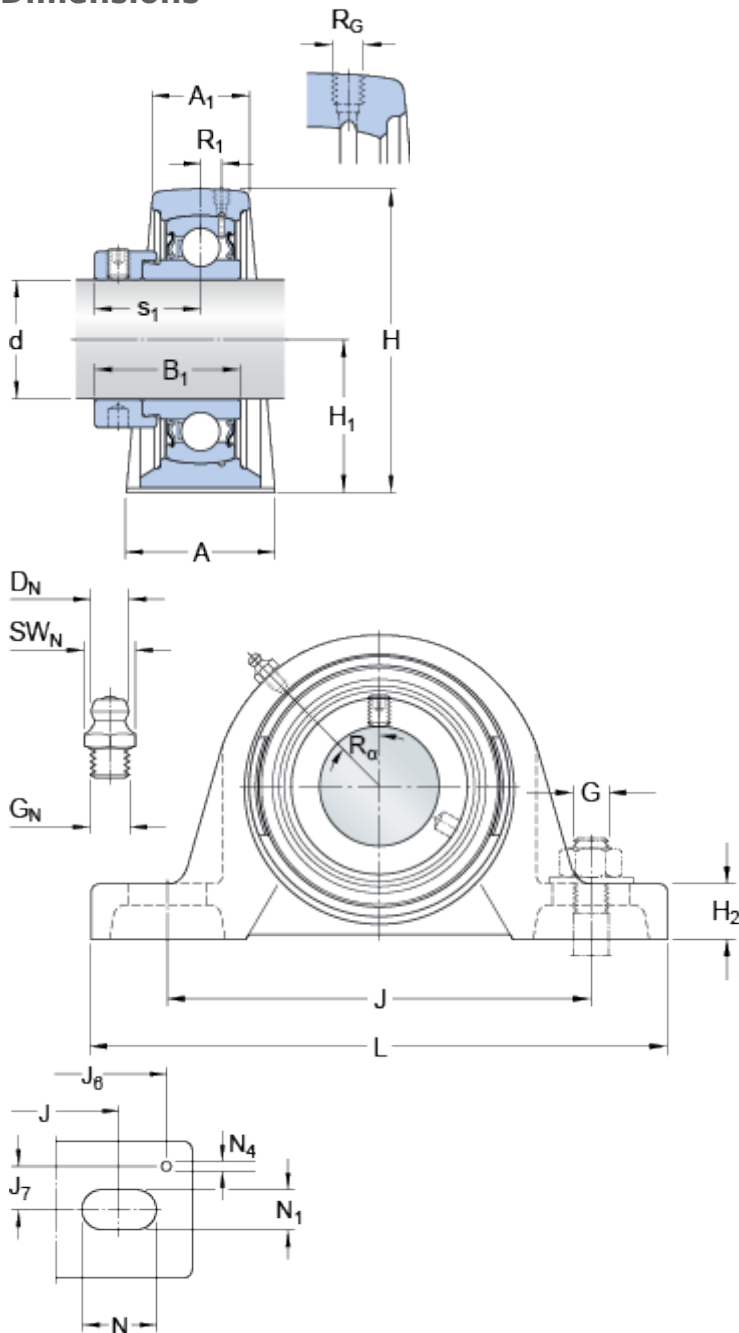


# SY 15 FM

Material

Cast iron

## Dimensions



$d$	15	mm
$A$	32	mm
$A_1$	18	mm
$B_1$	28.6	mm
$H$	57	mm
$H_1$	30.2	mm
$H_2$	14	mm
$J$	97	mm
$J$	max. 106	mm
$J$	min. 88	mm
$L$	127	mm
$N$	20.5	mm
$N_1$	11.5	mm
$s_1$	22.6	mm

### Threaded hole

$R_G$	1/4-28 UNF
$R_1$	1 mm
$R_\alpha$	45 °

### Grease fitting

$D_N$	6.5	mm
$SW_N$	7	mm
$G_N$	1/4-28 SAE-LT	

### Dowel pins

$J_6$	118	mm
$J_7$	11.5	mm
$N_4$	2	mm

## Calculation data

Basic dynamic load rating	C	9.56	kN
Basic static load rating	C	4.75	kN
Fatigue load limit	$P_u$	0.2	kN
Limiting speed		9500	r/min

(with shaft tolerance h6)

## Mass

---

Mass bearing unit	0.49	kg
-------------------	------	----

## Mounting information

---

Hexagonal key size for grub screw	N	3	mm
Recommended tightening torque for grub screw		4	N·m
Recommended diameter for attachment bolts, mm	G	10	mm
Recommended diameter for attachment bolts, inch	G	0.375	in

## Included products

---

Housing	<a href="#">SY 503 M</a>
Bearing	<a href="#">YET 203/15</a>