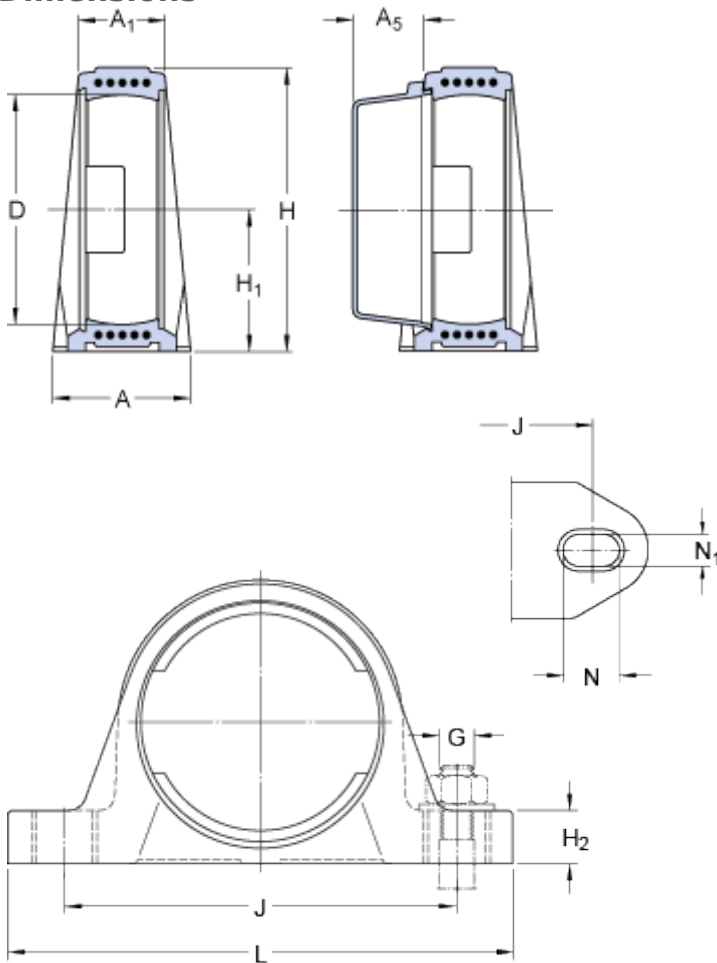


SYK 504

Dimensions



D	47	mm
A	32	mm
A ₁	21	mm
A ₅	18.5	mm
H	64.5	mm
H ₁	33.3	mm
H ₂	16	mm
J	96	mm
J	max. 101	mm
J	min. 91	mm
L	126	mm
N	17.5	mm
N ₁	12.5	mm

Mass

Mass housing	0.1	kg
--------------	-----	----

Mounting information

Recommended diameter for attachment bolts, mm	G	10	mm
Recommended diameter for attachment bolts, inch	G	0.375	in

Appropriate products

Appropriate end cover	ECY 204
-----------------------	-------------------------