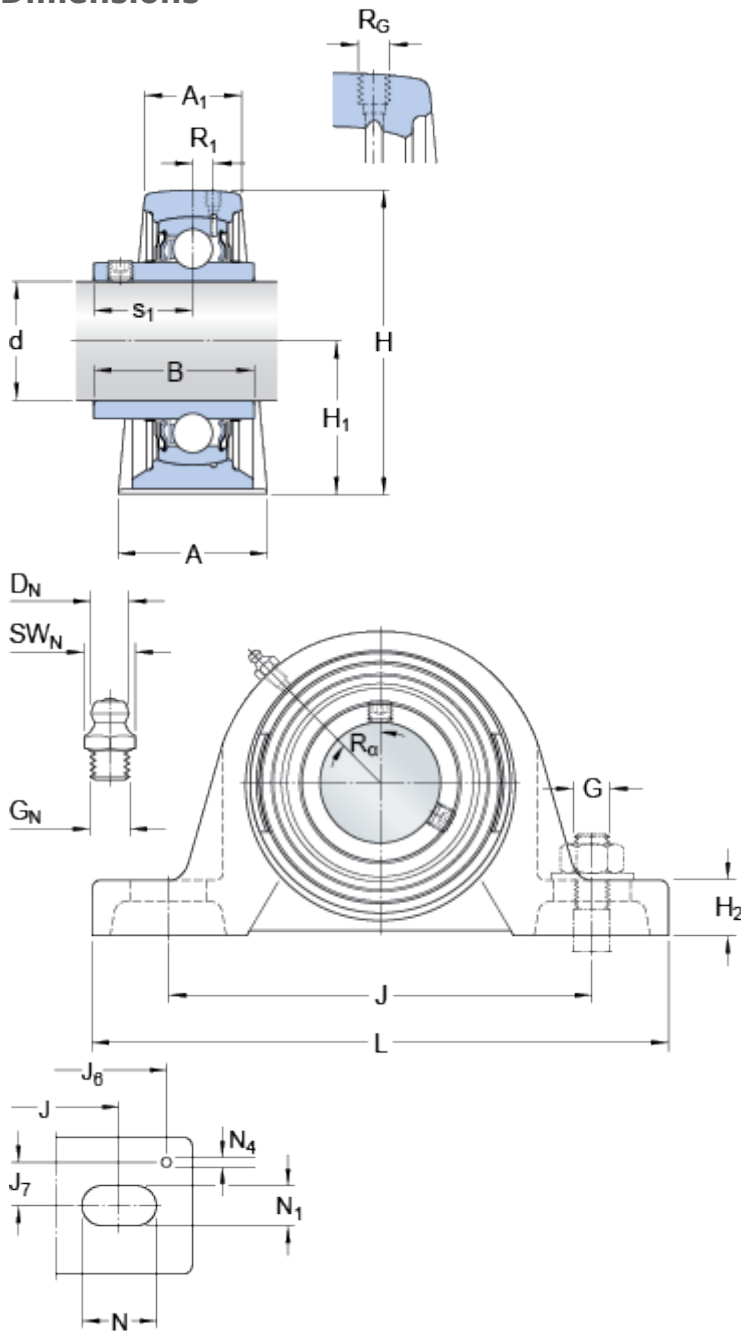


SYJ 70 TF

Material

Cast iron

Dimensions



d	70	mm
A	72	mm
A_1	46	mm
B	69.9	mm
H	155.5	mm
H_1	79.4	mm
H_2	27	mm
J	210	mm
J	max. 215	mm
J	min. 205	mm
L	266	mm
N	30	mm
N_1	25	mm
s_1	39.7	mm

Threaded hole

R_G	1/4-28 UNF
R_1	6 mm
R_α	45 °

Grease fitting

D_N	6.5 mm
SW_N	7 mm
G_N	1/4-28 SAE-LT

Dowel pins

J_6	246 mm
J_7	26 mm
N_4	4 mm

Calculation data

Basic dynamic load rating	C	62.4	kN
Basic static load rating	C	45	kN
Fatigue load limit	P_u	1.86	kN
Limiting speed		2800	r/min

(with shaft tolerance h6)

Mass

Mass bearing unit	6.2	kg
-------------------	-----	----

Mounting information

Hexagonal key size for grub screw	N	5	mm
Recommended tightening torque for grub screw		16.5	N·m
Recommended diameter for attachment bolts, mm	G	20	mm
Recommended diameter for attachment bolts, inch	G	0.75	in

Included products

Housing	SYJ 514
Bearing	YAR 214-2F