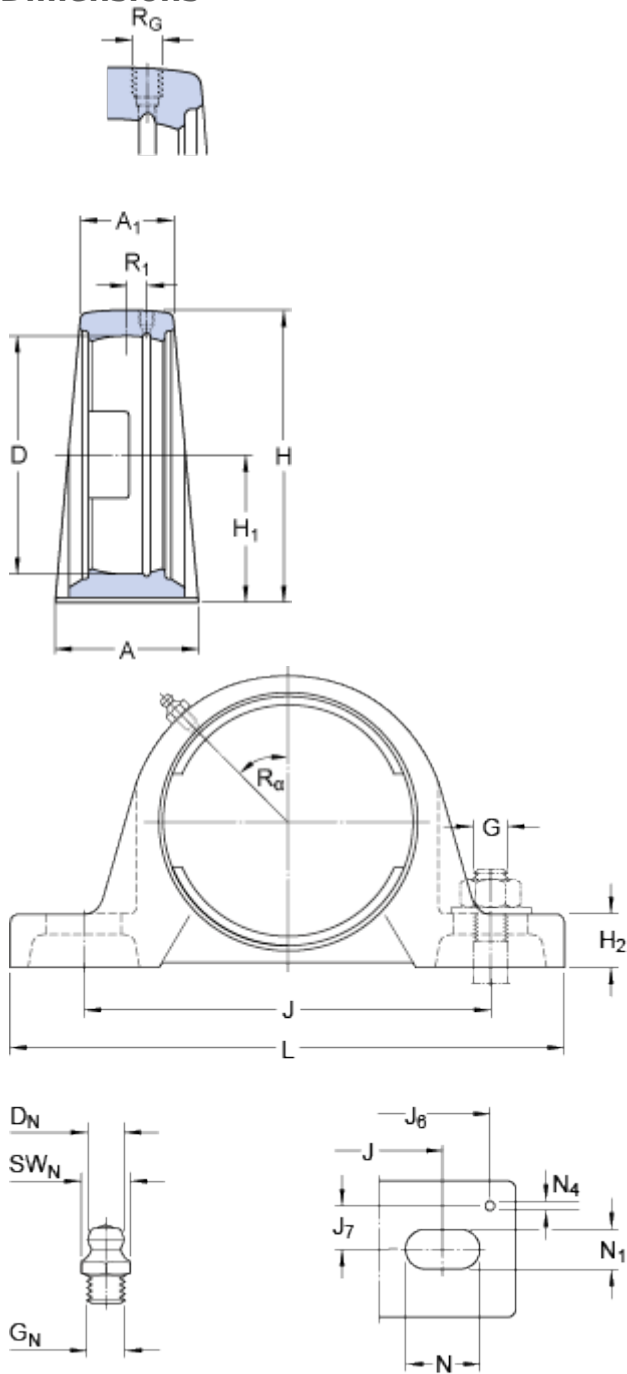


SYJ 507

Dimensions



D	72	mm	
H ₁	47.6	mm	
A	46	mm	
A ₁	28	mm	
H	93	mm	
H ₂	17	mm	
J	129	mm	
J	max.	136	mm
J	min.	122	mm
L	167	mm	
N	24	mm	
N ₁	17	mm	

Threaded hole

R _G	1/4-28 UNF	
R ₁	3	mm
R _α	45	°

Grease fitting

D _N	6.5	mm
SW _N	7	mm
G _N	1/4-28 SAE-LT	

Dowel pins

J ₆	153	mm
J ₇	16	mm
N ₄	4	mm

Mass

Mass housing	1	kg
--------------	---	----

Mounting information

Recommended diameter for attachment bolts, mm	G	14	mm
Recommended diameter for attachment bolts, inch	G	0.5625	in

