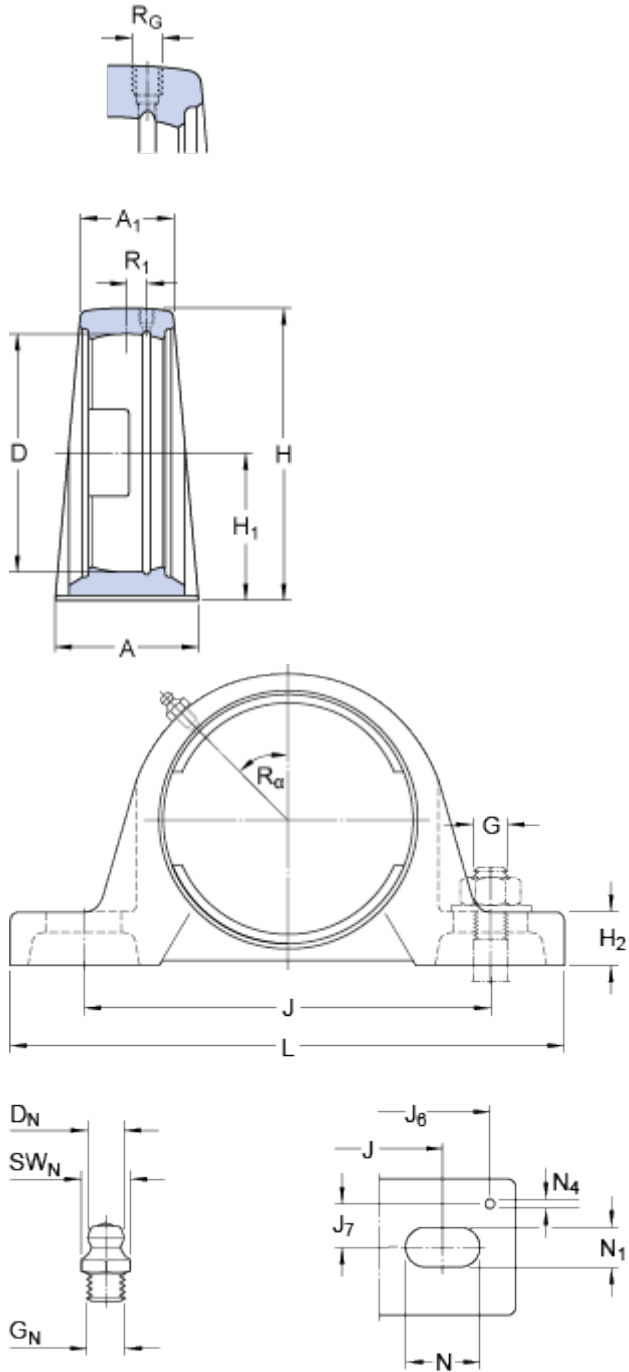


SYJ 506

Dimensions



D	62	mm
H ₁	42.9	mm
A	42	mm
A ₁	27	mm
H	82	mm
H ₂	16	mm
J	118	mm
J	max.	125 mm
J	min.	111 mm
L	165	mm
N	24	mm
N ₁	17	mm

Threaded hole

R _G	1/4-28 UNF	
R ₁	3	mm
R _α	45	°

Grease fitting

D _N	6.5	mm
SW _N	7	mm
G _N	1/4-28 SAE-LT	

Dowel pins

J ₆	155	mm
J ₇	15	mm
N ₄	4	mm

Mass

Mass housing	0.79	kg
--------------	------	----

Mounting information

Recommended diameter for attachment bolts, mm	G	14	mm
Recommended diameter for attachment bolts, inch	G	0.5625	in

