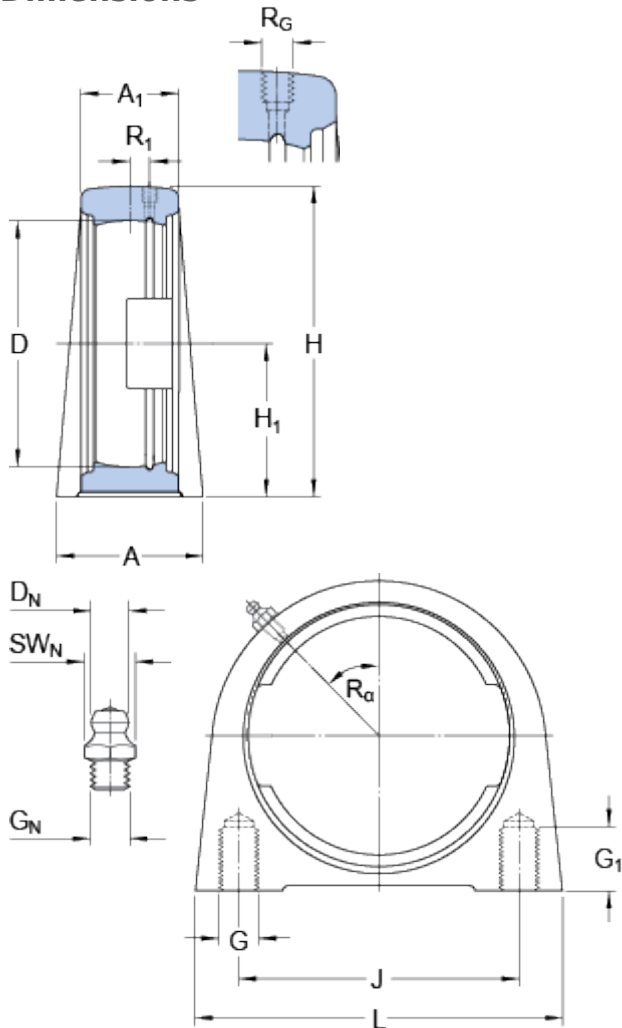


SYF 509

Dimensions



D	85	mm
H_1	54	mm
A	48	mm
A_1	32	mm
H	107.5	mm
J	95.3	mm
L	120	mm

Threaded hole

R_G	1/4-28 UNF
R_1	4 mm
R_a	45 °

Grease fitting

D_N	6.5	mm
SW_N	7	mm
G_N	1/4-28 SAE-LT	

Mass

Mass housing	1.25	kg
--------------	------	----

Mounting information

Housing thread for attachment bolts	G	M12
Thread length	G_1	22 mm