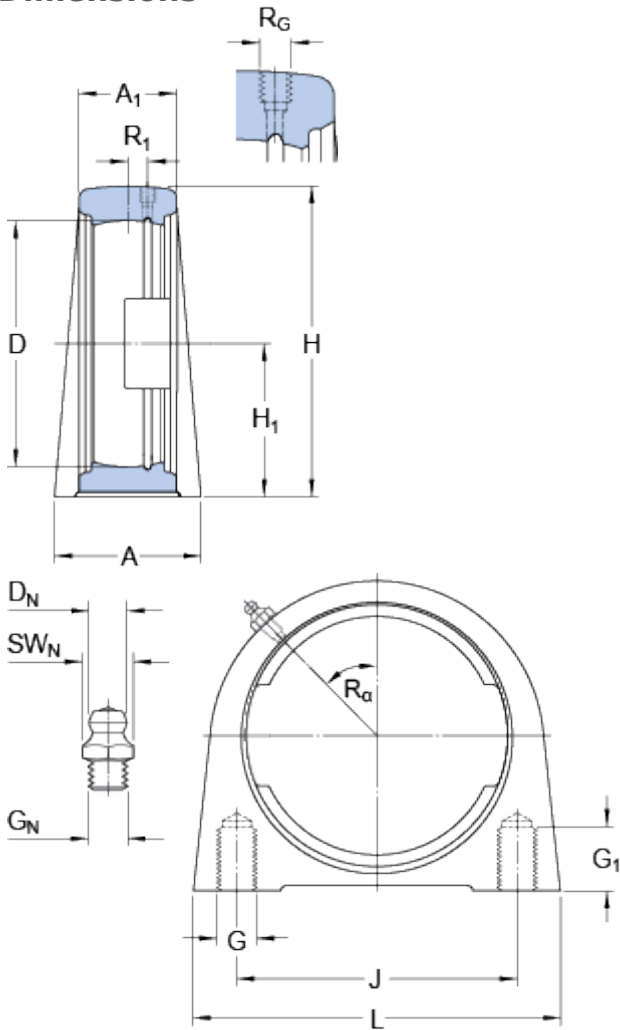


# SYF 508

## Dimensions



D	80	mm
$H_1$	49.2	mm
A	48	mm
$A_1$	30	mm
H	99	mm
J	88.9	mm
L	116	mm

### Threaded hole

$R_G$	1/4-28 UNF	
$R_1$	3.5	mm
$R_\alpha$	45	°

### Grease fitting

$D_N$	6.5	mm
$SW_N$	7	mm
$G_N$	1/4-28 SAE-LT	

## Mass

Mass housing	1.05	kg
--------------	------	----

## Mounting information

Housing thread for attachment bolts	G	M12	
Thread length	$G_1$	20	mm