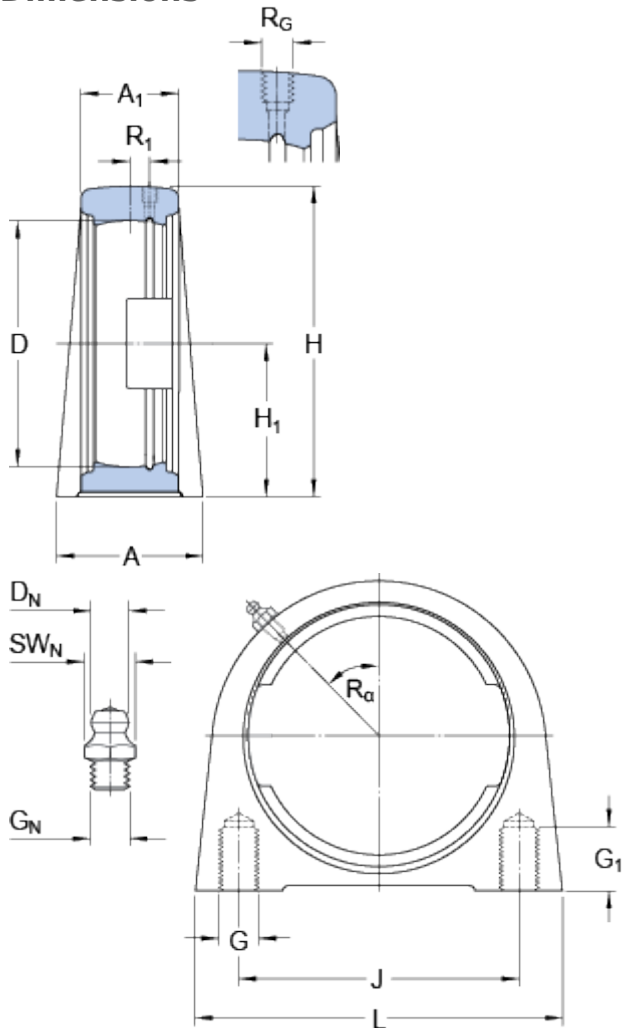


# SYF 506

## Dimensions



D	62	mm
H <sub>1</sub>	42.9	mm
A	40	mm
A <sub>1</sub>	25	mm
H	82	mm
J	76.2	mm
L	98	mm

### Threaded hole

R <sub>G</sub>	1/4-28 UNF
R <sub>1</sub>	3 mm
R <sub>α</sub>	45 °

### Grease fitting

D <sub>N</sub>	6.5	mm
SW <sub>N</sub>	7	mm
G <sub>N</sub>	1/4-28 SAE-LT	

## Mass

Mass housing	0.66	kg
--------------	------	----

## Mounting information

Housing thread for attachment bolts	G	M10
Thread length	G <sub>1</sub>	15 mm