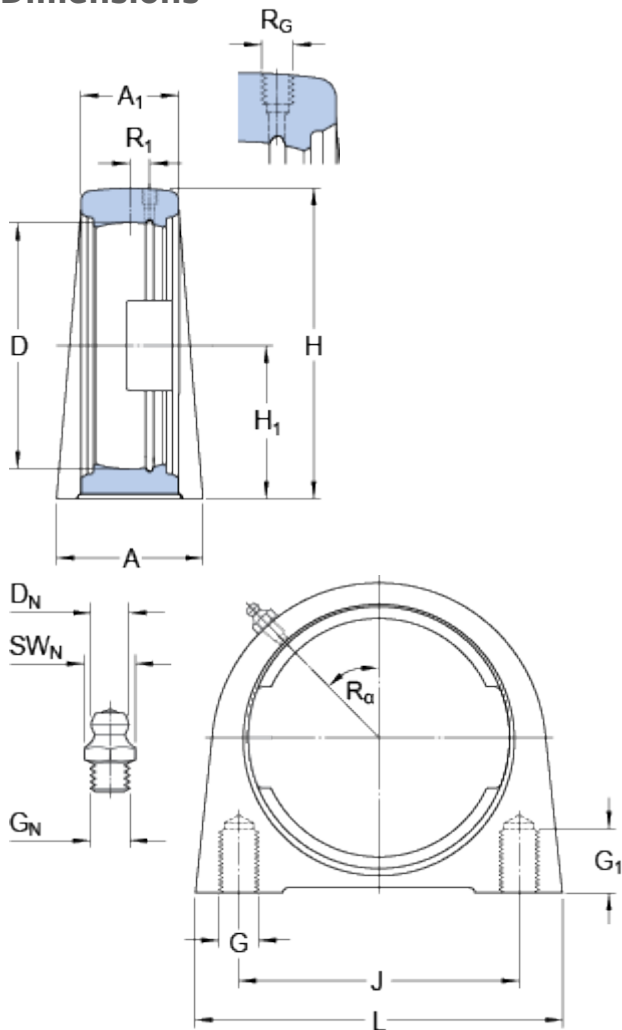


SYF 504

Dimensions



D	47	mm
H_1	33.3	mm
A	32	mm
A_1	21	mm
H	64.5	mm
J	50.8	mm
L	65	mm

Threaded hole

R_G	1/4-28 UNF
R_1	2 mm
R_a	45 °

Grease fitting

D_N	6.5	mm
SW_N	7	mm
G_N	1/4-28 SAE-LT	

Mass

Mass housing	0.29	kg
--------------	------	----

Mounting information

Housing thread for attachment bolts	G	M8
Thread length	G_1	14 mm