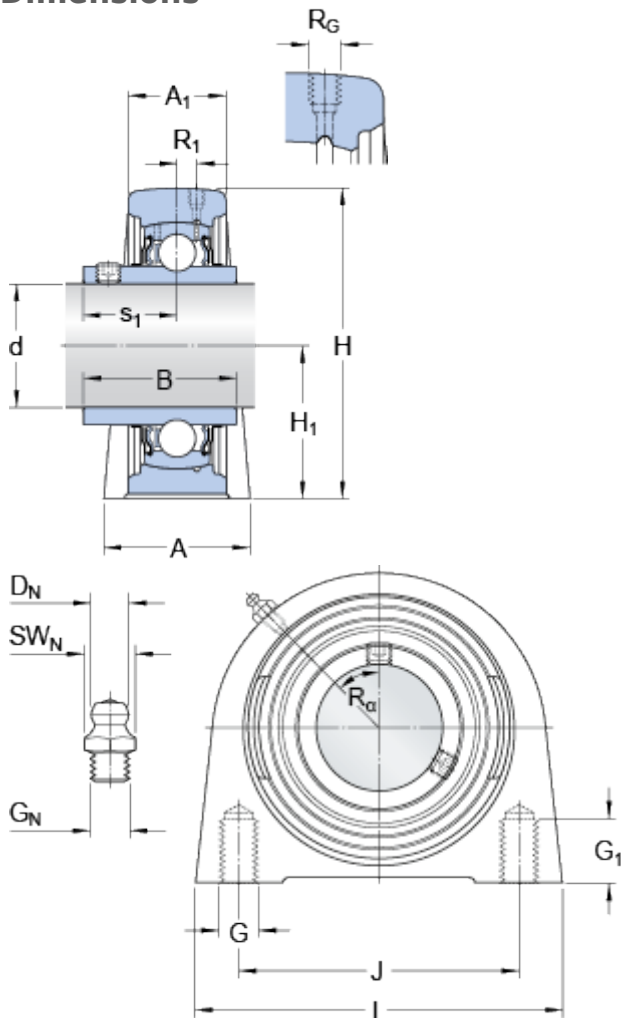


SYF 40 TF

Housing material

Cast iron

Dimensions



d	40	mm
A	48	mm
A ₁	30	mm
B	49.2	mm
H	99	mm
H ₁	49.2	mm
J	88.9	mm
L	116	mm
s ₁	30.2	mm

Threaded hole

R _G	1/4-28 UNF
R ₁	3.5 mm
R _α	45 °

Grease fitting

D _N	6.5 mm
SW _N	7 mm
G _N	1/4-28 SAE-LT

Calculation data

Basic dynamic load rating	C	30.7	kN
Basic static load rating	C	19	kN
Fatigue load limit	P _u	0.8	kN
Limiting speed		4800	r/min

(with shaft tolerance h6)

Mass

Mass bearing unit	1.6	kg
-------------------	-----	----

Mounting information

Housing thread for attachment bolts	G	M12
Thread length	G ₁	20 mm
Thread grub screw	G ₂	M8x1
Hexagonal key size for grub screw	N	4 mm
Recommended tightening torque for grub screw		6.5 N·m

Included products

Housing
Bearing

SYF 508
YAR 208-2F