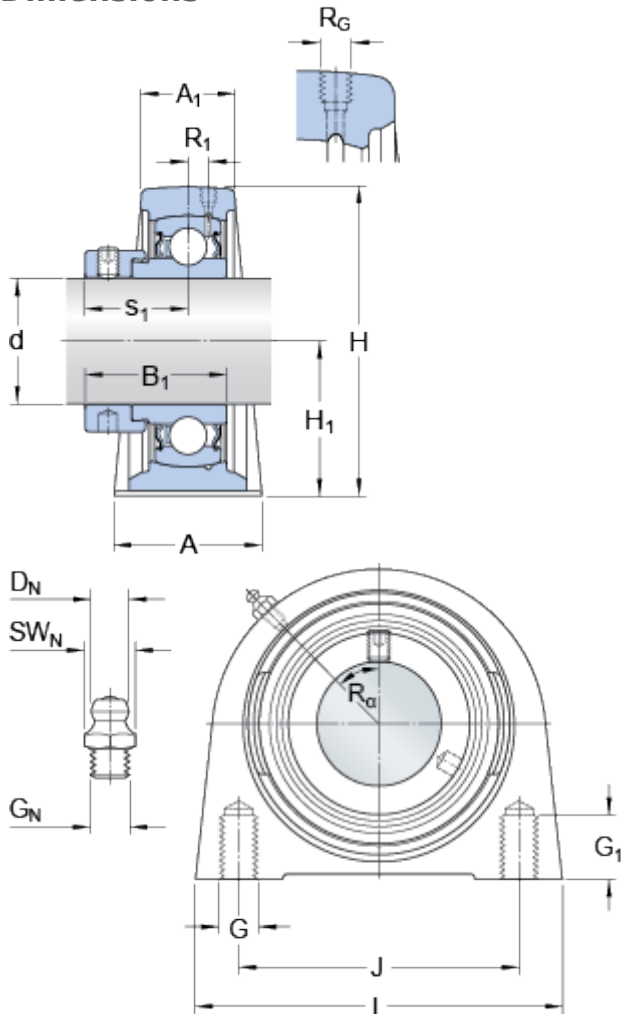


# SYF 40 FM

Housing material

Cast iron

## Dimensions



d	40	mm
A	48	mm
A <sub>1</sub>	30	mm
B <sub>1</sub>	43.7	mm
H	99	mm
H <sub>1</sub>	49.2	mm
J	88.9	mm
L	116	mm
s <sub>1</sub>	33.2	mm

## Threaded hole

R <sub>G</sub>	1/4-28 UNF
R <sub>1</sub>	3.5 mm
R <sub>α</sub>	45 °

## Grease fitting

D <sub>N</sub>	6.5	mm
SW <sub>N</sub>	7	mm
G <sub>N</sub>	1/4-28 SAE-LT	

## Calculation data

Basic dynamic load rating	C	30.7	kN
Basic static load rating	C	19	kN
Fatigue load limit	P <sub>u</sub>	0.8	kN
Limiting speed		4800	r/min

(with shaft tolerance h6)

## Mass

Mass bearing unit	1.65	kg
-------------------	------	----

## Mounting information

Housing thread for attachment bolts	G	M12
Thread length	G <sub>1</sub>	20 mm
Thread grub screw	G <sub>2</sub>	M10x1
Hexagonal key size for grub screw	N	5 mm
Recommended tightening torque for grub screw		16.5 N·m

## Included products

Housing  
Bearing

SYF 508  
YET 208