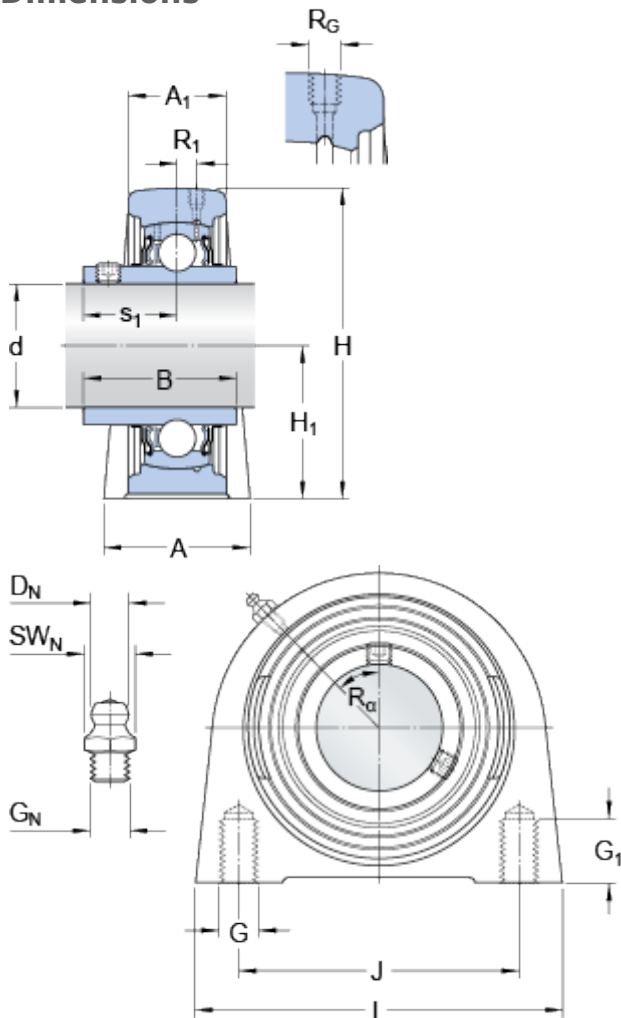


SYF 35 TF

Housing material

Cast iron

Dimensions



d	35	mm
A	45	mm
A ₁	27	mm
B	42.9	mm
H	93	mm
H ₁	47.6	mm
J	82.6	mm
L	103	mm
s ₁	25.4	mm

Threaded hole

R _G	1/4-28 UNF	
R ₁	3	mm
R _α	45	°

Grease fitting

D _N	6.5	mm
SW _N	7	mm
G _N	1/4-28 SAE-LT	

Calculation data

Basic dynamic load rating	C	25.5	kN
Basic static load rating	C	15.3	kN
Fatigue load limit	P _u	0.655	kN
Limiting speed		5300	r/min

(with shaft tolerance h6)

Mass

Mass bearing unit	1.25	kg
-------------------	------	----

Mounting information

Housing thread for attachment bolts	G	M10
Thread length	G ₁	15 mm
Thread grub screw	G ₂	M6x0.75
Hexagonal key size for grub screw	N	3 mm
Recommended tightening torque for grub screw		4 N·m

Included products

Housing
Bearing

SYF 507
YAR 207-2F