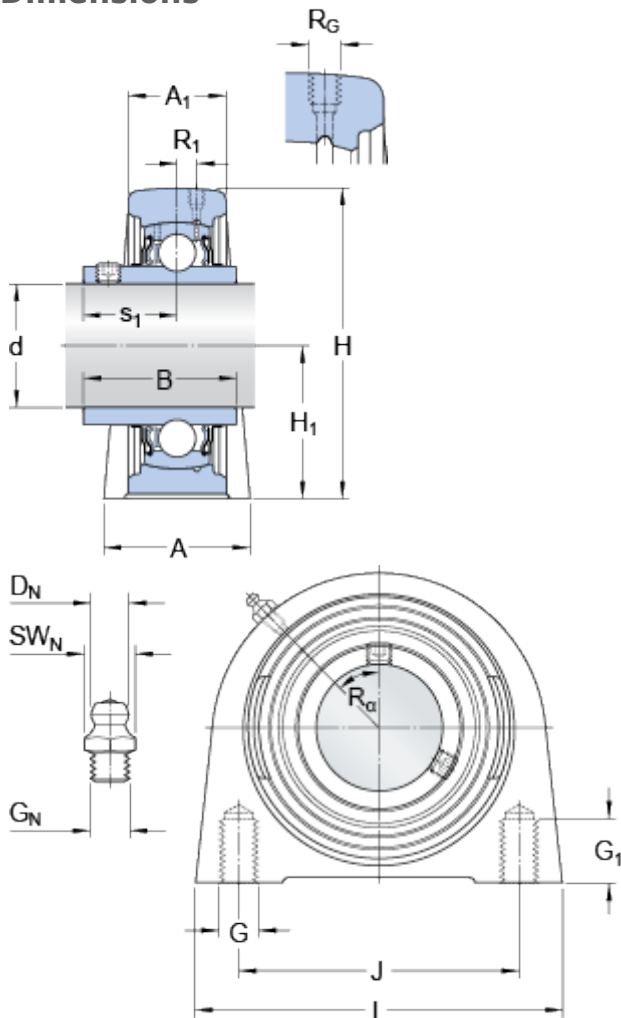


# SYF 30 TF

Housing material

Cast iron

## Dimensions



$d$	30	mm
$A$	40	mm
$A_1$	25	mm
$B$	38.1	mm
$H$	82	mm
$H_1$	42.9	mm
$J$	76.2	mm
$L$	98	mm
$s_1$	22.2	mm

## Threaded hole

$R_G$	1/4-28 UNF
$R_1$	3 mm
$R_\alpha$	45 °

## Grease fitting

$D_N$	6.5	mm
$SW_N$	7	mm
$G_N$	1/4-28 SAE-LT	

## Calculation data

Basic dynamic load rating	C	19.5	kN
Basic static load rating	C	11.2	kN
Fatigue load limit	$P_u$	0.475	kN
Limiting speed		6300	r/min

(with shaft tolerance h6)

## Mass

Mass bearing unit	0.94	kg
-------------------	------	----

## Mounting information

Housing thread for attachment bolts	G	M10
Thread length	$G_1$	15 mm
Thread grub screw	$G_2$	M6x0.75
Hexagonal key size for grub screw	N	3 mm
Recommended tightening torque for grub screw		4 N·m

## Included products

Housing  
Bearing

SYF 506  
YAR 206-2F