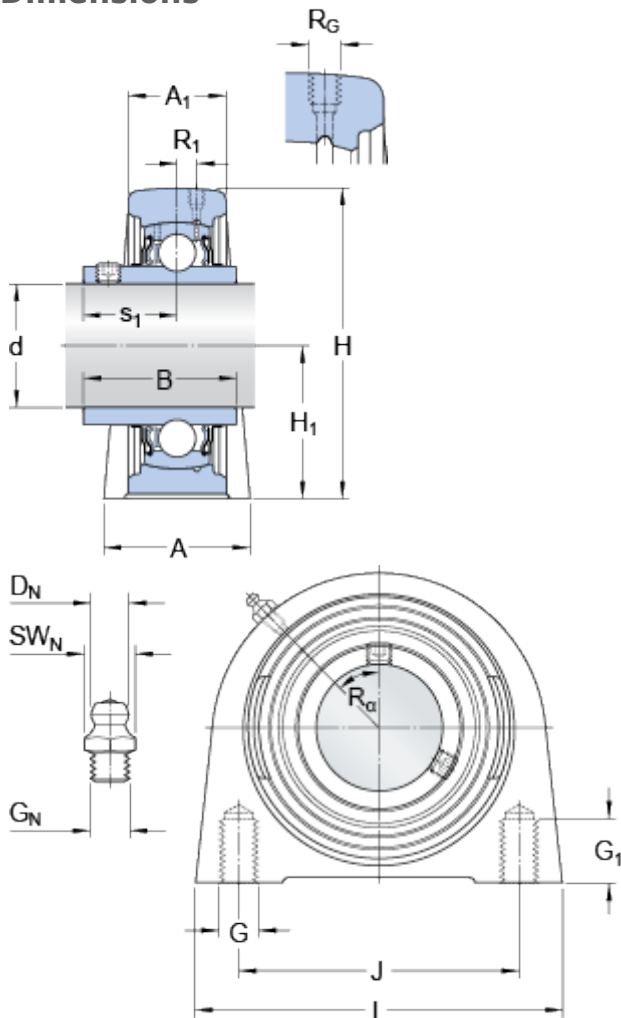


# SYF 25 TF

Housing material

Cast iron

## Dimensions



d	25	mm
A	36	mm
A <sub>1</sub>	22	mm
B	34.1	mm
H	70	mm
H <sub>1</sub>	36.5	mm
J	50.8	mm
L	70	mm
s <sub>1</sub>	19.8	mm

## Threaded hole

R <sub>G</sub>	1/4-28 UNF	
R <sub>1</sub>	2	mm
R <sub>α</sub>	45	°

## Grease fitting

D <sub>N</sub>	6.5	mm
SW <sub>N</sub>	7	mm
G <sub>N</sub>	1/4-28 SAE-LT	

## Calculation data

Basic dynamic load rating	C	14	kN
Basic static load rating	C	7.8	kN
Fatigue load limit	P <sub>u</sub>	0.335	kN
Limiting speed		7000	r/min

(with shaft tolerance h6)

## Mass

Mass bearing unit	0.54	kg
-------------------	------	----

## Mounting information

Housing thread for attachment bolts	G	M10
Thread length	G <sub>1</sub>	15 mm
Thread grub screw	G <sub>2</sub>	M6x0.75
Hexagonal key size for grub screw	N	3 mm
Recommended tightening torque for grub screw		4 N·m

## Included products

Housing  
Bearing

SYF 505  
YAR 205-2F