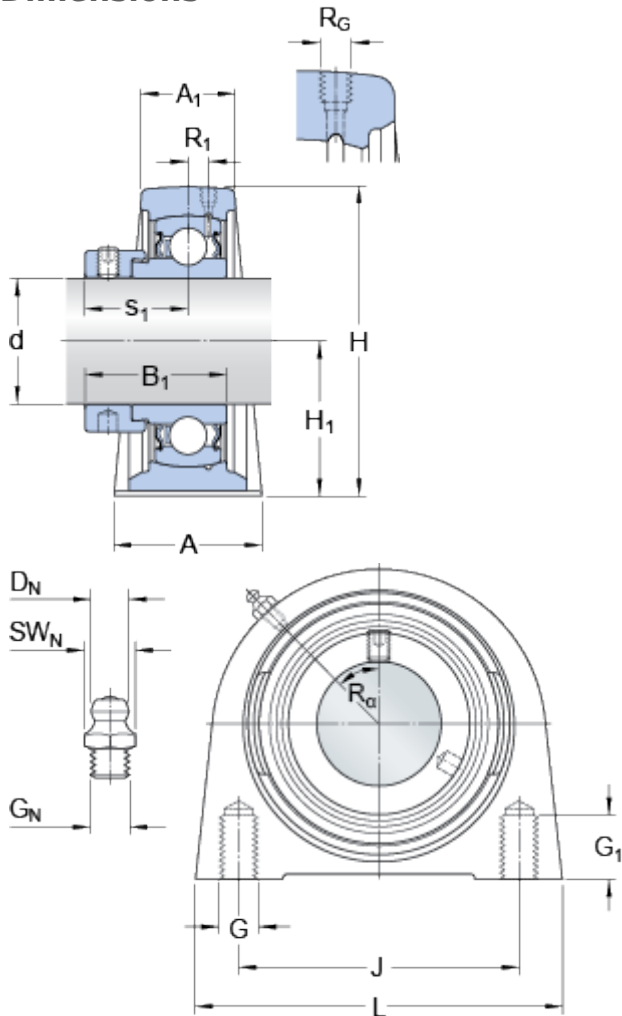


# SYF 20 FM

Housing material

Cast iron

## Dimensions



d	20	mm
A	32	mm
A <sub>1</sub>	21	mm
B <sub>1</sub>	31	mm
H	64.5	mm
H <sub>1</sub>	33.3	mm
J	50.8	mm
L	65	mm
s <sub>1</sub>	24	mm

## Threaded hole

R <sub>G</sub>	1/4-28 UNF
R <sub>1</sub>	2 mm
R <sub>α</sub>	45 °

## Grease fitting

D <sub>N</sub>	6.5	mm
SW <sub>N</sub>	7	mm
G <sub>N</sub>	1/4-28 SAE-LT	

## Calculation data

Basic dynamic load rating	C	12.7	kN
Basic static load rating	C	6.55	kN
Fatigue load limit	P <sub>u</sub>	0.28	kN
Limiting speed		8500	r/min

(with shaft tolerance h6)

## Mass

Mass bearing unit	0.47	kg
-------------------	------	----

## Mounting information

Housing thread for attachment bolts	G	M8
Thread length	G <sub>1</sub>	14 mm
Thread grub screw	G <sub>2</sub>	M6x0.75
Hexagonal key size for grub screw	N	3 mm
Recommended tightening torque for grub screw		4 N·m

## Included products

---

Housing  
Bearing

SYF 504  
YET 204