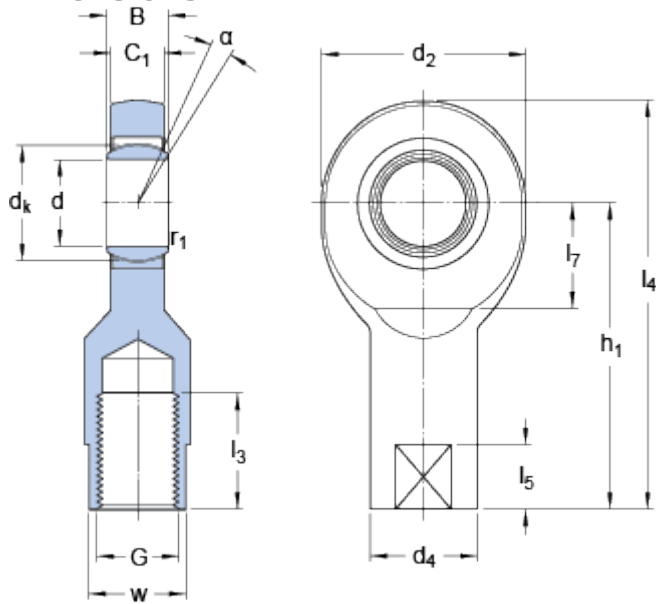


# SI 8 C

## Dimensions



$d$		8	mm
$d_2$	max.	25	mm
$B$		8	mm
$G$	6H	M 8	
$C_1$	max.	6.5	mm
$h_1$		36	mm
$\alpha$		15	°
$d_k$		13	mm
$d_4$	≈	13	mm
$l_3$	min.	15	mm
$l_4$	max.	50	mm
$l_5$	≈	9	mm
$l_7$	min.	11	mm
$w$	h14	11	mm
$r_1$	min.	0.3	mm

## Calculation data

Basic dynamic load rating	C	5.85	kN
Basic static load rating	C	12.9	kN
Specific dynamic load factor	K	100	N/mm <sup>2</sup>
Material constant	$K_M$	1400	

## Mass

Mass rod end		0.036	kg
--------------	--	-------	----