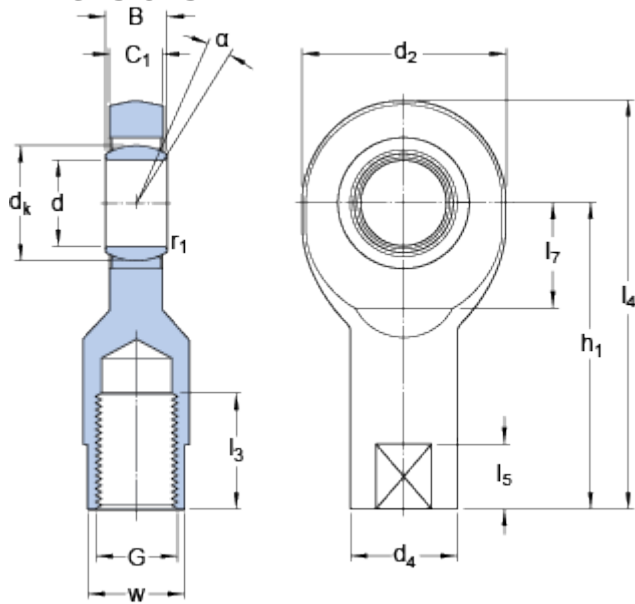


# SI 6 E

## Dimensions



$d$		6	mm
$d_2$	max.	22	mm
$B$		6	mm
$G$	6H	M 6	
$C_1$	max.	4.5	mm
$h_1$		30	mm
$\alpha$		13	°
$d_k$		10	mm
$d_4$	≈	11	mm
$l_3$	min.	11	mm
$l_4$	max.	43	mm
$l_5$	≈	8	mm
$l_7$	min.	9	mm
$w$	h14	9	mm
$r_1$	min.	0.3	mm

## Calculation data

Basic dynamic load rating	C	3.4	kN
Basic static load rating	C	8.15	kN
Specific dynamic load factor	K	100	N/mm <sup>2</sup>
Material constant	$K_M$	330	

## Mass

Mass rod end		0.021	kg
--------------	--	-------	----