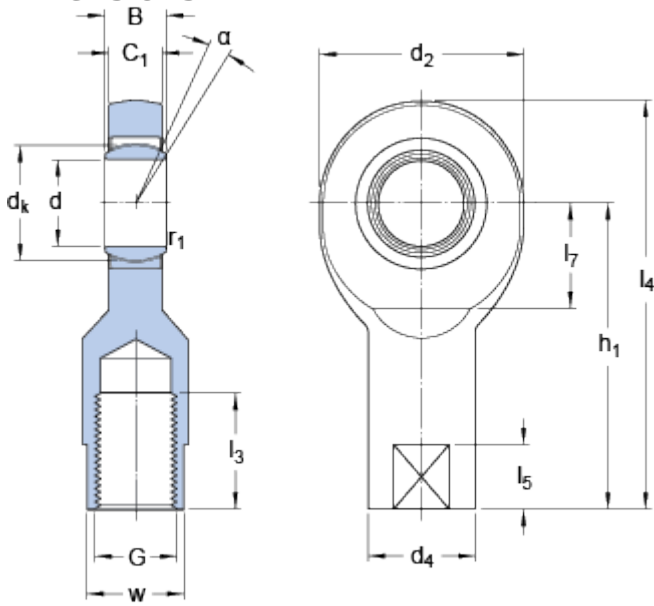


SI 6 C

Dimensions



d		6	mm
d ₂	max.	22	mm
B		6	mm
G	6H	M 6	
C ₁	max.	4.5	mm
h ₁		30	mm
α		13	°
d _k		10	mm
d ₄	≈	11	mm
l ₃	min.	11	mm
l ₄	max.	43	mm
l ₅	≈	8	mm
l ₇	min.	9	mm
w	h14	9	mm
r ₁	min.	0.3	mm

Calculation data

Basic dynamic load rating	C	3.6	kN
Basic static load rating	C	8.15	kN
Specific dynamic load factor	K	100	N/mm ²
Material constant	K _M	1400	

Mass

Mass rod end		0.023	kg
--------------	--	-------	----